



# Liebert<sup>®</sup> EXS

## User Manual

External Battery Cabinet

15 - 40 kVA

The information contained in this document is subject to change without notice and may not be suitable for all applications. While every precaution has been taken to ensure the accuracy and completeness of this document, Vertiv assumes no responsibility and disclaims all liability for damages resulting from use of this information or for any errors or omissions.

Refer to local regulations and building codes relating to the application, installation, and operation of this product. The consulting engineer, installer, and/or end user is responsible for compliance with all applicable laws and regulations relating to the application, installation, and operation of this product.

The products covered by this instruction manual are manufactured and/or sold by Vertiv. This document is the property of Vertiv and contains confidential and proprietary information owned by Vertiv. Any copying, use, or disclosure of it without the written permission of Vertiv is strictly prohibited.

Names of companies and products are trademarks or registered trademarks of the respective companies. Any questions regarding usage of trademark names should be directed to the original manufacturer.

### **Technical Support Site**

If you encounter any installation or operational issues with your product, check the pertinent section of this manual to see if the issue can be resolved by following outlined procedures.

Visit <https://www.vertiv.com/en-us/support/> for additional assistance.

# TABLE OF CONTENTS

<b>1 Important Safety Instructions</b> .....	<b>1</b>
<b>2 Mechanical Installation</b> .....	<b>5</b>
2.1 Introduction .....	5
2.2 System Composition .....	5
2.3 Preliminary Checks .....	5
2.4 Environmental Considerations .....	5
2.4.1 Battery Room .....	5
2.4.2 Storing Batteries for Delayed Installation .....	6
2.4.3 Installation Considerations .....	6
2.5 Moving the Battery Cabinets .....	7
2.5.1 Raised Floor Mounting .....	7
2.6 Layout .....	8
2.7 Connecting the Liebert® EXS Battery Cabinet to the UPS .....	8
<b>3 Battery Installation</b> .....	<b>11</b>
3.1 Safety .....	11
3.1.1 Connecting the Batteries .....	12
3.2 Power Connection .....	13
3.2.1 Connected System .....	13
3.2.2 Stand-Alone and Right-Mounted Systems .....	13
3.2.3 Attached/Detached System .....	13
3.2.4 Grounding .....	13
3.3 Control Connection .....	13
3.4 Non-Standard Batteries .....	14
3.5 Batteries Approved for Use in Vertiv™ Liebert® EXS Systems .....	16
3.5.1 Floor Installation .....	16
3.5.2 Cable Entry .....	16
3.6 Static Bypass Assembly .....	16
3.7 Control Wiring .....	16
3.7.1 Battery Cabinet Interface Connectors .....	16
3.8 Battery Protection .....	20
3.8.1 Battery Undervoltage Warning .....	20
3.8.2 Battery End-of-Discharge (EOD) Protection .....	20
<b>4 Installation Drawings</b> .....	<b>21</b>
<b>5 Specifications</b> .....	<b>25</b>
<b>6 Maintenance</b> .....	<b>27</b>
6.1 Record Log .....	27
6.2 Battery Maintenance .....	27

6.3 Battery Safety Precautions .....	28
6.4 Torque Requirements .....	30

# 1 Important Safety Instructions

This manual contains important instructions that should be followed during installation of your Vertiv™ Liebert® EXS Battery Cabinet and accessories. Read this manual thoroughly, paying special attention to the sections that apply to your installation, before working with the battery system. Retain this manual for use by installing personnel.

The following warning applies to all battery cabinets supplied with UPS systems.



**WARNING! Internal battery strapping must be verified prior to moving a battery cabinet (after initial installation).**

**Battery cabinets contain non-spillable batteries.**

**Keep units upright.**

**Do not stack.**

**Do not tilt.**

**Failure to heed this warning could result in smoke, fire or electric hazard.**

**Call 800-543-2378 prior to moving battery cabinets (after initial installation).**



**AVERTISSEMENT! L'arrimage des batteries internes doit être vérifié avant de déplacer une armoire de batteries (après l'installation initiale). Les armoires de batteries contiennent des batteries étanches.**

**Maintenir les systèmes à la verticale.**

**Ne pas empiler.**

**Ne pas incliner.**

**Le non-respect de ces consignes comporte des risques liés à la fumée, au feu ou à l'électricité.**

**Composez le 1 800 LIEBERT avant de déplacer des armoires de batteries (après l'installation initiale).**



**WARNING! Risk of electrical shock. Can cause personal injury and death.**

**Check for voltage with both AC and DC voltmeters before working within the UPS. Check for voltage with both AC and DC voltmeters before making contact.**

**Only properly trained and qualified personnel wearing appropriate safety headgear, gloves, shoes and glasses should be involved in installing the UPS or preparing the UPS for installation. When performing maintenance with any part of the equipment under power, service personnel and test equipment should be standing on rubber mats.**

**Lead-acid batteries contain hazardous materials. Batteries must be handled, transported and recycled or discarded in accordance with federal, state and local regulations. Because lead is a toxic substance, lead-acid batteries must be recycled rather than discarded.**

**Do not dispose of battery or batteries in a fire. The battery may explode.**

**Do not open or mutilate the battery or batteries. Released electrolyte is harmful to the skin and eyes. It is toxic.**

**The following precautions must be observed when working on batteries:**

**Remove watches, rings and other metal objects.**

**Use tools with insulated handles.**

**Wear rubber gloves and boots.**

Do not lay tools or metal parts on top of batteries.  
Disconnect charging source prior to connecting or disconnecting battery terminals.  
Determine whether the battery is grounded. If it is grounded, remove source of ground.  
Contact with any part of a grounded battery can result in electrical shock. The likelihood of such shock will be reduced if such grounds are removed during installation and maintenance.

**AVERTISSEMENT!** Risque de décharge électrique pouvant causer des blessures graves, voire mortelles. Vérifiez les tensions au moyen de voltmètres c.a. et c.c. avant d'utiliser le système ASC. Vérifiez les tensions avec des voltmètres c.a. et c.c. avant d'établir tout contact.

Seuls des employés qualifiés et dûment formés portant un casque, des gants, des chaussures et des lunettes de sécurité adéquats doivent se charger d'installer le système ASC ou de le préparer pour l'installation. Les responsables de l'entretien et l'équipement d'essai doivent reposer sur des tapis de caoutchouc lors de toute intervention sur une pièce d'équipement sous tension.



Les batteries au plomb-acide renferment des matières dangereuses. Les batteries doivent être manipulées, transportées, recyclées ou jetées conformément aux règlements fédéraux, provinciaux et municipaux. Étant donné que le plomb est une substance toxique, les batteries au plomb-acide doivent être recyclées plutôt que mises au rebut.

Ne jetez jamais de batteries au feu car elles risquent d'exploser.

Vous ne devez ni ouvrir ni percer les batteries, car l'électrolyte qui s'en écoulait est nocif pour la peau et les yeux. Cet électrolyte est toxique.

Lorsque vous travaillez avec des batteries, prenez les précautions suivantes:

Retirez montre, bagues et tout autre objet métallique.

Utilisez des outils dont le manche est isolé.

Portez des gants et des bottes de caoutchouc.

Ne posez aucun outil ni pièce métallique sur le dessus d'une batterie.

Déconnectez la source de chargement avant de brancher ou de débrancher les bornes d'une batterie.

Vérifiez si la batterie est mise à la terre. Le cas échéant, éliminez la cause de la mise à la terre.

Le contact avec toute partie d'une batterie mise à la terre peut provoquer une décharge électrique. Pour réduire de tels risques d'accident, débranchez les prises de terre avant de procéder à l'installation ou à l'entretien.



**WARNING!** Risk of electric shock. Can cause personal injury and death.

In case of fire involving electrical equipment, use only carbon dioxide fire extinguishers or those approved for use in fighting electrical fires.



**AVERTISSEMENT!** Risque de décharge électrique pouvant causer des blessures graves, voire mortelles. En cas d'incendie associé à du matériel électrique, n'utilisez que des extincteurs à dioxyde de carbone ou homologués pour la lutte contre les incendies d'origine électrique.



**WARNING!** Risk of heavy unit falling over. Improper handling can cause equipment damage, injury or death. Exercise extreme care when handling battery cabinets to avoid equipment damage or injury to personnel. The battery system cabinets weigh from 1543 lb. to 2204lb. (700 kg to 1000 kg). Locate center of gravity symbols and determine unit weight before handling each cabinet. Test lift and balance the cabinets before transporting. Maintain minimum tilt from vertical at all times. Slots at the base of the module cabinets are intended for forklift use. Base slots will support the unit only if the forks are completely beneath the unit. Read all of the following instructions before attempting to move, lift, or remove packaging from unit, or prepare unit for installation.

**AVERTISSEMENT!** Le centre de gravité élevé de l'appareil présente un risque de renversement. Une mauvaise manutention peut entraîner des dommages matériels, des blessures et même la mort. Faites preuve d'une extrême prudence lors de la manutention des armoires ASC afin d'éviter de les endommager ou de blesser le personnel. Le poids du module ASC varie entre 700 kg et 1000 kg (1543lb. et 2204 lb.). Identifiez les symboles



de centre de gravité et déterminez le poids de l'appareil avant de manipuler chaque armoire. Testez le levage et l'équilibre des armoires avant de transporter l'appareil. Maintenez en tout temps l'inclinaison verticale minimale. Les fentes situées à la base des armoires du module sont conçues pour utiliser le chariot élévateur. Les fentes situées à la base peuvent soutenir le système seulement si les fourches se trouvent complètement sous le système. Lisez toutes les instructions ci-dessous avant de tenter de déplacer, lever, déballer ou préparer le système en vue de son installation.



**WARNING!** Risk of electrical shock and fire. Can cause equipment damage, personal injury or death. Under typical operation and with all UPS doors closed, only normal safety precautions are necessary. The area around the UPS system should be kept free of puddles of water, excess moisture and debris. Only test equipment designed for troubleshooting should be used. This is particularly true for oscilloscopes. Always check with an AC and DC voltmeter to ensure safety before making contact or using tools. Even when the power is turned Off, dangerously high potential electric charges may exist at the capacitor banks and at the DC connections. All wiring must be installed by a properly trained and qualified electrician. All power and control wiring must comply with all applicable national, state and local codes. One person should never work alone, even if all power is disconnected from the equipment. A second person should be standing by to assist and to summon help in case of an accident.

**AVERTISSEMENT! Risque de décharge électrique et d'incendie. Pouvant entraîner des dommages matériels, des blessures et même la mort.**

**Les précautions de sécurité habituelles suffisent lorsque le système ASC est en mode de fonctionnement normal et que toutes les portes sont fermées. La zone entourant le système ASC doit être exempte de flaques d'eau, d'humidité excessive et de débris.**



**Seuls des équipements d'essai conçus pour le dépannage doivent être utilisés. Cette mise en garde couvre notamment les oscilloscopes. Utilisez toujours un voltmètre c.a. et c.c. pour vérifier les tensions avant d'établir un contact ou d'utiliser des appareils. Des tensions dangereusement élevées peuvent demeurer dans les batteries de condensateurs et au niveau des raccords c.c., même une fois l'alimentation coupée.**

**Tous les raccords doivent être effectués par un électricien dûment formé et qualifié. Tous les câbles d'alimentation et de commande doivent être conformes aux codes nationaux et locaux en vigueur.**

**Une personne ne devrait jamais travailler seule, même si toute l'alimentation d'entrée est coupée. Une deuxième personne devrait toujours être présente pour porter assistance ou chercher de l'aide en cas d'accident.**

## NOTICE

This unit complies with the limits for a Class A digital device, pursuant to Part 15 Subpart J of the FCC rules. These limits provide reasonable protection against harmful interference in a commercial environment. This unit generates, uses and radiates radio frequency energy and, if not installed and used in accordance with this instruction manual, may cause harmful interference to radio communications.

Operation of this unit in a residential area may cause harmful interference that the user must correct at his own expense.



## 2 Mechanical Installation

### 2.1 Introduction

The following section describes the requirements that must be taken into account when planning the positioning and cabling of the Vertiv™ Liebert® EXS battery equipment.

This chapter is a guide to general procedures and practices that should be observed by the installing engineer. The particular conditions of each site will determine the applicability of such procedures.

#### NOTICE

Risk of improper startup. Can cause equipment damage.

Do not switch ON the UPS before commissioning of the UPS by Vertiv Engineer.

### 2.2 System Composition

A battery system can consist of one Battery Cabinet attached to a UPS. Refer to [Installation Drawings](#) on page 21 for positioning the cabinets.

### 2.3 Preliminary Checks

Before installing the battery equipment, carry out the following preliminary checks:

- Remove all panels and visually inspect the cabinet, batteries, bus connections and cabinet for any shipping damage. Be careful voltage is present within the battery cabinet even before installation. If there are signs of damage, do not proceed. Call Vertiv at 1-800-542-2378.
- Report any damage to the shipper immediately.
- Verify that the correct equipment is being installed. The equipment supplied has an identification tag inside the main door.
- Verify that the battery room satisfies the environmental conditions stipulated in the equipment specification, paying particular attention to the ambient temperature and air exchange system.

### 2.4 Environmental Considerations

#### 2.4.1 Battery Room

Batteries should be installed in an environment where the temperature is consistent and even over the whole battery. Temperature is a major factor in determining the battery life and capacity. Typical battery manufacturer performance data are quoted for an operating temperature between 68°F and 77°F (20°C and 25°C). Operating above this range will reduce the battery life while operation below this range will reduce the battery capacity.

**Battery Temperature** — In a normal installation, the battery temperature should be kept between 59°F and 77°F (15°C and 25°C).

**NOTE:** Keep batteries away from main heat sources, main air inlets, etc.

## 2.4.2 Storing Batteries for Delayed Installation

If the battery system will not be installed immediately, it must be stored indoors in a clean, dry and cool location. Batteries should be unpacked, installed and charged as soon as possible after delivery.

### NOTICE

Risk of failure to properly charge batteries. Can cause permanent damage to the batteries and void the warranty.

Batteries will self-discharge during storage. Batteries must be recharged as recommended by the battery manufacturer.

A notice of *Charge Before Date* is affixed to each unit that has batteries inside. The *Charge Before Date* is calculated based on the batteries being stored at 77°F (25°C). Storage at a higher temperature will increase the rate of self-discharge, requiring earlier recharge. Consult the battery manufacturer on how to determine when the batteries need to be recharged.

## 2.4.3 Installation Considerations

**Position** — Refer to UPS manual (SL-26155 is EXS 15-20kVA Legacy frame, SL-71125 is EXS 15-40kVA V Series) or submittals for complete system line-up details.

Vertiv™ Liebert® EXS Battery Cabinets are designed to be located next to each UPS module on either the left or right side and are also available in stand-alone configurations with painted side panels. The front access design eliminates side and rear service clearance requirements. Refer **Table 5.5** on page 26 for battery cabinet dimensions and weights.

**Bolt-On Cabinets** — Matching battery cabinets are designed to bolt on either the left or right side of the UPS module cabinet. Use bolts that ship with each unit to connect cabinet frames at posts, two places in the front and two places in the rear.

**Service Clearance** — Allow front access to the battery cabinet at all times for maintenance and service. Electrical codes require that the battery cabinet be installed with no less than 3ft. (1m) of clearance at the front of the cabinet when operating. No service clearance is required on either the side or rear. Clearance at the top of the cabinet is 24in (610mm).

**Cables (15-40kVA units)** — Cables may be run between the cabinets through cutouts in the top of the cabinet, eliminating the need for external conduit runs. Route cables before moving cabinets into final position for bolting together. No top or bottom entry cables are required, except for remotely located cabinets which require conduits.

**NOTE: Power terminals, auxiliary terminals blocks and circuit breakers are accessed from the front and top. Removable panels on the top are secured to the chassis by screws. The door can be opened to give access to the power connections bars, auxiliary terminal blocks and breakers. The front door can be opened 180° for easier service and more flexibility in installation.**

**Software** — To allow the UPS to accurately display the battery run time, the number of battery cabinets must be noted when performing initial startup and setup using the configuration software. This is to be performed by the Vertiv engineer when commissioning the unit.

**Casters and Adjustable Stops** — The adjustable stops are not designed to bear the full weight of the cabinet. Lower the stops until they are finger-tight in contact with the floor. Then tighten a small amount with a wrench (less than two turns) to give a good friction fit. When mounting the battery cabinet on seismic stands, ensure that the casters are bearing the weight of the cabinet.

## 2.5 Moving the Battery Cabinets

The battery cabinets should be moved with a forklift or similar equipment. The battery cabinet has casters for movement over short distances. The bottoms of the battery cabinets are reinforced to permit lifting by forklift to move them longer distances. The bottom structure will support the unit only if the forks are completely beneath the unit.

The route between the point of arrival and the unit's installation location must be planned to make sure that all passages are wide enough for the unit and that floors will support its weight. For instance, ensure that handling equipment such as doorways, lifts, ramps are strong enough and that there are no impassable corners or changes in the level of corridors.

Ensure that the cabinet weight is within the designated surface weight loading (kg/cm<sup>2</sup>) of any handling equipment. See **Table 5.5** on page 26 for weight details.

Ensure that any lifting equipment used to move the battery equipment has sufficient lifting capacity.

Because the weight distribution in the cabinet is not symmetrical, use extreme care during handling and transporting.

When moving the unit by forklift, care must be taken to protect the panels. Handling the unit with straps is not authorized.



**WARNING! Risk of heavy unit falling over. Improper handling can cause equipment damage, injury or death. Exercise extreme care when handling battery cabinets to avoid equipment damage or injury to personnel. The battery system cabinets weigh from 1543lb. to 2204lb. (700 kg to 1000 kg). Locate center of gravity symbols and determine the unit's weight before handling a cabinet. Test lift and balance the cabinets before moving them. Maintain minimum tilt from vertical at all times. Read all of the following instructions before attempting to move, lift, or remove packaging from unit, or prepare unit for installation.**



**AVERTISSEMENT! Le centre de gravité élevé de l'appareil présente un risque de renversement. Une mauvaise manutention peut entraîner des dommages matériels, des blessures et même la mort. Faites preuve d'une extrême prudence lors de la manutention des armoires ASC afin d'éviter de les endommager ou de blesser le personnel. Le poids du module ASC varie entre 700 kg et 1000 kg (1543lb. et 2204 lb.). Identifiez les symboles de centre de gravité et déterminez le poids de l'appareil avant de manipuler chaque armoire. Testez le levage et l'équilibre des armoires avant de transporter l'appareil. Maintenez en tout temps l'inclinaison verticale minimale. Lisez toutes les instructions ci-dessous avant de tenter de déplacer, lever, déballer ou préparer le système en vue de son installation.**

### 2.5.1 Raised Floor Mounting

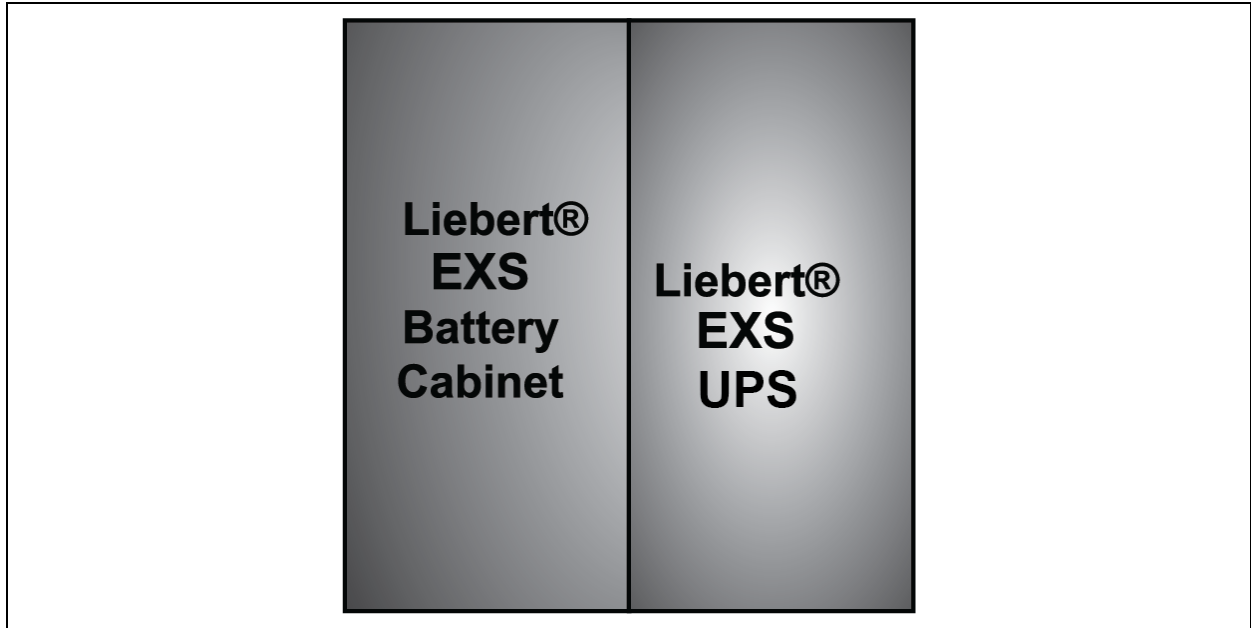
If the equipment is to be placed on a raised floor, it should be mounted on a pedestal suitably designed to accept the equipment's point loading. Refer to the base view in **4** on page 21 design this pedestal.

## 2.6 Layout

Depending on the site layout, the battery cabinets can be installed in following ways:

- Only able to connect one battery cabinet.
- Stand-Alone System — Cabinet not bolted to Vertiv™ Liebert® EXS.
- Attached — Battery cabinet is bolted to a Vertiv™ Liebert® EXS.
- Detached — Battery cabinet is not bolted to Vertiv™ Liebert® EXS. See **Figure 2.1** below.

**Figure 2.1 Battery Cabinets Connected, Attached to UPS**



### Notes to Figure

- **RECOMMENDED INSTALLATION** Battery cabinet systems ordered as left-side installation will include factory supplied cabling to connect the battery system to the 15-40kVA UPS models. The cables will be routed internally.

## 2.7 Connecting the Liebert® EXS Battery Cabinet to the UPS

After the battery cabinet equipment has been positioned and secured for operation and the batteries have been connected, connect the power cables as described below see **Figure 3.3** on page 17 .

1. Verify that all incoming high and low voltage power circuits are de-energized and locked out or tagged out before installing cables or making any electrical connections.
2. Remove the UPS front input output panel to gain access to the ground and battery busbars.
3. Remove the battery cabinet front panel to gain access to the busbars.
4. Connect the safety ground and any necessary bonding ground cables to the copper ground busbar. Example: UPS located behind the output busbars.

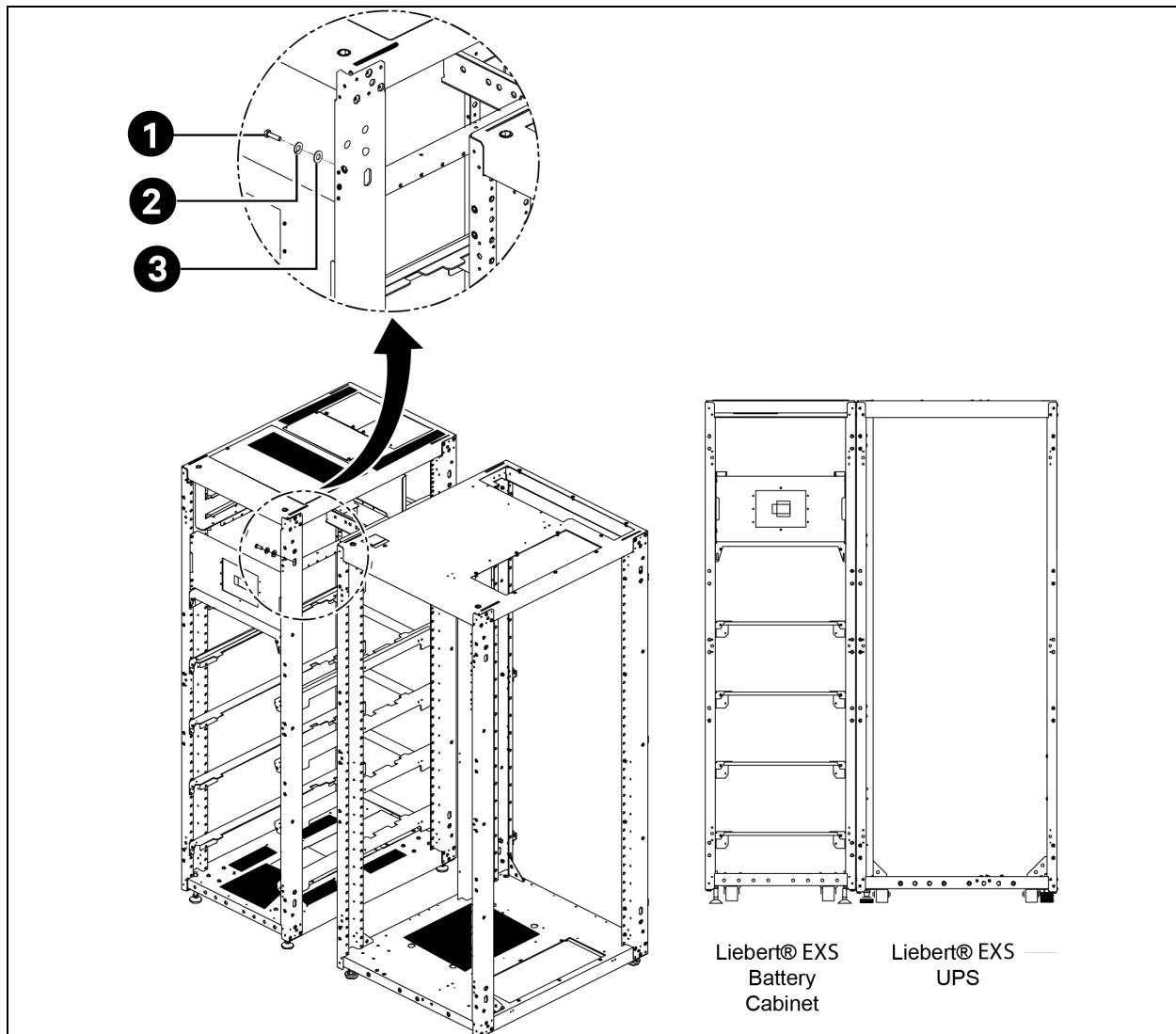
All cabinets in the UPS system must be connected to the user's ground connection.

**NOTE: The grounding and neutral bonding arrangement must be in accordance with the National Electrical Code and all applicable local codes.**

5. Connect the system battery cables from the UPS battery terminals (+, N, -) to battery cabinet breaker BCB (+, N, -) as shown in **Figure 3.3** on page 17. Make sure that the battery connections are made with the right polarity, and tighten the connections to the torque specified in [Torque Requirements](#) on page 30. Do not close the battery circuit breaker until the equipment is commissioned.
6. Connect TB1 from battery cabinet to J15 on the UPS refer [Connecting the Liebert® EXS Battery Cabinet to the UPS](#) on the previous page

**NOTE: The shunt trip drive capability for the battery breaker is 220VDC at 2.4A.**

**Figure 2.2 Bolting the Vertiv™ Liebert® EXS Battery Cabinet to the Liebert EXS UPS**



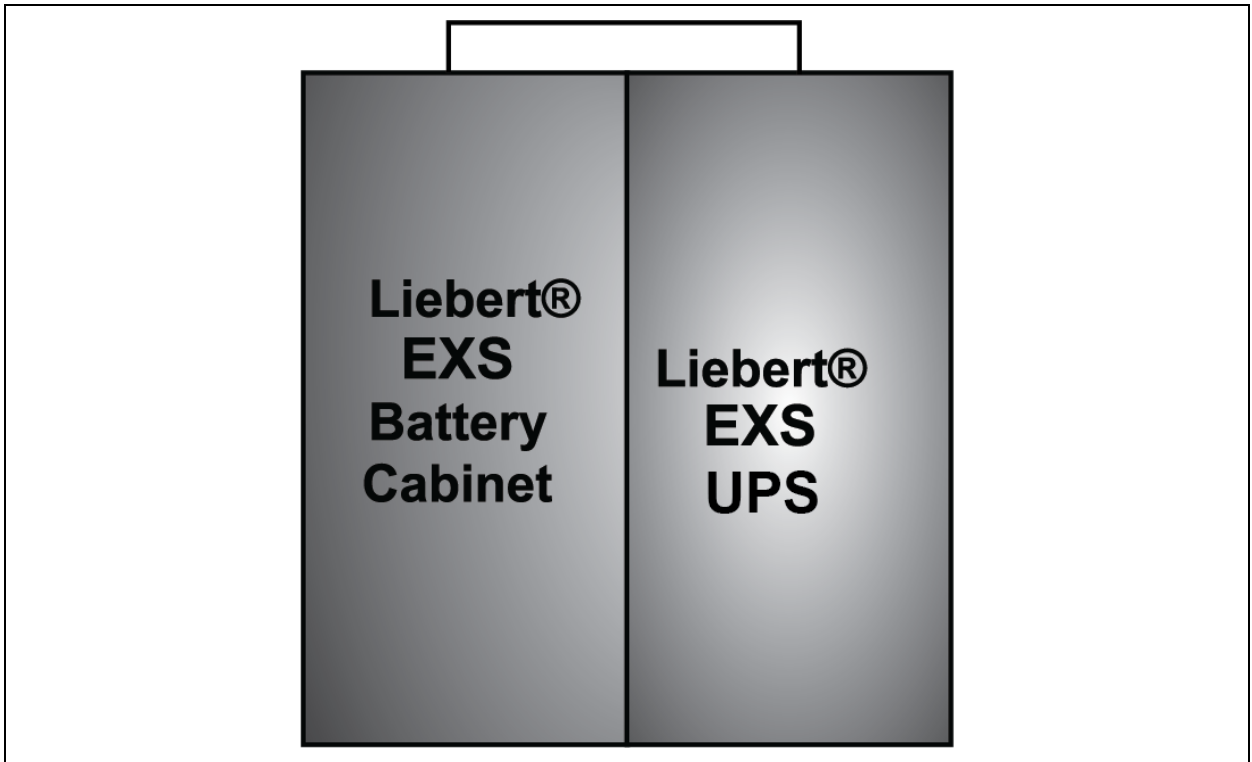
Item	Description
1	Hex Head Bolt M10 x 30mm
2	Washer Split, M10
3	Flat Washer, M10

**Table 2.1 Control Wiring for Vertiv™ Liebert® EXS to Battery Cabinet**

From Liebert EXS UPS (J15)	To Battery Cabinet (A8 BOARD)
J15	J2

See **Table 5.3** on page 25 for power cable sizing.

**Figure 2.3 Power Cabling for 15-40kVA UPS**



## 3 Battery Installation

### 3.1 Safety

Special care should be taken when working with the batteries associated with the Vertiv™ Liebert® EXS Battery System equipment. When all the cells are connected together, the battery terminal voltage will exceed 240VDC and is potentially lethal. A primary safety consideration is to install the battery equipment in an isolated area, accessible only to properly trained and qualified maintenance personnel.



**WARNING! Risk of electrical shock and fire. Can cause equipment damage, personal injury or death. Servicing of batteries should be performed or supervised by personnel knowledgeable of batteries and the required precautions. Keep unauthorized personnel away from batteries.**



**AVERTISSEMENT! Risque de décharge électrique et d'incendie. Pouvant entraîner des dommages matériels, des blessures et même la mort. Le remplacement des batteries doit être effectué ou supervisé par des membres du personnel dotés des compétences requises et connaissant les précautions à prendre. Le personnel non autorisé ne doit pas avoir accès aux batteries.**

Lead-acid batteries can present a risk of fire because they generate hydrogen gas. In addition, the electrical connections must be protected against accidental short circuits which can cause sparks.

The following procedures should be followed:

- DO NOT SMOKE when near batteries.
- DO NOT cause flame or spark in battery area.
- Discharge static electricity from body before touching batteries by first touching a grounded metal surface.
- After replacing battery jars in a battery cabinet, replace the retaining straps that hold the jars in place on the shelves. This will limit accidental movement of the jars and connectors should the cabinet ever need to be repositioned or relocated.

Regular maintenance of the battery module is an absolute necessity. Periodic inspections of battery and terminal voltages, specific gravity and connection resistance should be made. Strictly follow the procedures outlined in the battery manufacturer's manual, available on the manufacturer's website.

Valve-regulated lead-acid (sealed-cell) batteries do require periodic maintenance. Although maintenance of electrolyte levels is not required, visual inspections and checks of battery voltage and connection resistance should be made.

#### NOTICE

Risk of equipment damage. Batteries should be cleaned with a dry cloth or a cloth lightly moistened with water. Do not use cleaners on the batteries. Solvents can make the battery cases brittle.

Because individual battery characteristics are not identical and may change over time, the UPS module is equipped with circuitry to equalize battery cell voltages. This circuit increases charging voltage to maintain flooded type battery cells at full capacity.



**WARNING! Risk of electric shock, explosive reaction, hazardous chemicals and fire. Can cause equipment damage, personal injury and death. Do not use equalize charging with valve-regulated, lead-acid batteries, such as those in Liebert Battery Cabinets. Refer to the battery manufacturer's manual, available on the manufacturer's Web site, for specific information about equalize charging.**



**AVERTISSEMENT! Risque de décharge électrique, de réaction explosive, d'incendie et d'exposition à des produits chimiques dangereux pouvant entraîner des dommages matériels, des blessures et même la mort. N'utilisez pas de charge d'égalisation avec des batteries d'accumulateurs au plomb à régulation par soupape, comme celles utilisées dans les armoires de batterie Liebert. Reportez-vous au manuel du fabricant des batteries, disponible sur le site Web du fabricant, pour obtenir des renseignements précis sur la charge d'égalisation.**

The following general battery safety precautions and warnings must be observed at all times:

- A battery can present risk of electric shock or burn from high short circuit currents.
- When connected in a string, the voltage will exceed 288VDC. This voltage is potentially lethal. Always observe high voltage precautions.
- Eye protection must be worn to prevent injury from accidental electrical arcs.
- Remove rings, watches, necklaces, bracelets and all other metal objects.
- Use only tools with insulated handles.
- Wear appropriate personal protective equipment when handling batteries.
- If a battery leaks electrolyte or is otherwise physically damaged, it should be placed in a container resistant to wire and disposed of in accordance with local regulations.
- If electrolyte comes into contact with the skin, the affected area should be washed immediately with plenty of clean water.
- Batteries must always be disposed of according to local environmental laws.
- When replacing batteries, use the same number and type that were originally fitted.
- Disconnect charging source prior to connecting or disconnecting battery terminals.
- Determine if the battery is grounded. If it is grounded, remove source of ground. Contact with any part of a grounded battery can result in electrical shock.
- Battery support tray must be used whenever a battery tray is being pulled out.

### 3.1.1 Connecting the Batteries

If the Vertiv™ Liebert® EXS battery cabinet is installed on a raised floor, the battery power cables and circuit breaker control cables may be routed to the UPS cabinet through the bottom of the cabinet.

If the Liebert EXS battery cabinets are installed adjacent to one another on a solid floor, these cables may be passed between the cabinets through the sides of the cabinets.

Intertray connections must be made before the battery cabinet may be used.



## 3.2 Power Connection

Depending on the site layout, the battery cabinets can be cabled as shown in [Figure 2.1](#) on page 8.

### 3.2.1 Connected System

For ordered cabinets as connected (battery cabinets will bolt to each other), the busbars are connected between battery cabinets with the supplied power cables.

### 3.2.2 Stand-Alone and Right-Mounted Systems

The customer must supply all interconnecting cables and hardware for stand-alone and right-mounted cabinets. See [Table 5.3](#) on page 25 for current ratings and recommended cable sizes according to local codes.

### 3.2.3 Attached/Detached System

For battery cabinets that are connecting to a Vertiv™ Liebert® EXS UPS, see [Figure 2.1](#) on page 8, cables will run from the positive, negative and neutral busbars of the adjacent battery cabinet to the positive, negative and neutral DC connections of the UPS.

For attached systems (the cabinets bolt to each other) 15-40kVA Liebert EXS UPS models, the cables can run internal to the cabinets and will be supplied.

For detached systems (the cabinets do not bolt to each other), the cables must be run outside the cabinets. The customer must supply all the interconnecting cables and hardware. See [Table 5.3](#) on page 25 for current ratings and recommended cable sizes.

### 3.2.4 Grounding

The ground cables and hardware will be supplied for cabinets ordered as connected or attached. The customer must supply the cables and hardware for detached and stand-alone cabinets. Size grounding conductor according to local codes. See [Figure 3.1](#) on the next page for the location of the ground busbar.

## 3.3 Control Connection

Each Liebert EXS Battery Cabinet contains a Battery Interface Board (BIB). See [Control Wiring](#) on page 16.

See [Figure 3.3](#) on page 17 and [Connecting the Liebert® EXS Battery Cabinet to the UPS](#) on page 8 for control wiring between the Liebert EXS Battery Cabinet and the Liebert EXS UPS. See [Non-Standard Batteries](#) on the next page for battery cabinet terminal details.

**NOTE:** Care must be taken to route the control cables away from high voltage cables or busbars.

### 3.4 Non-Standard Batteries

When batteries other than a matching battery cabinet are used, a remote battery disconnect switch with overcurrent protection is required per the National Electrical Code. Contact your local Vertiv sales representative about this option. Refer **Figure 5.1** on page 26 for details.

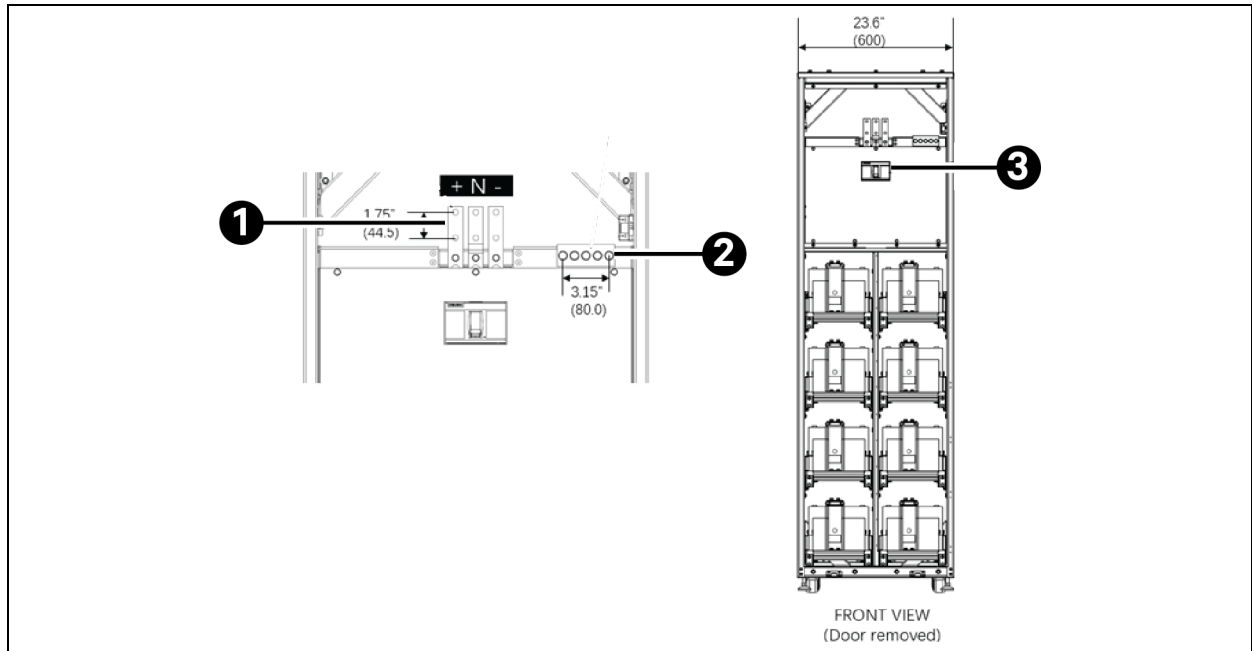
Install battery racks, cabinets and batteries in accordance with the manufacturer's instructions.

Verify that the battery area has adequate ventilation and battery operating temperature complies with the manufacturer's specifications and with all applicable national and local codes.

If you have any questions concerning batteries, battery racks or accessories, contact Vertiv at 1-800-543-2378.

**NOTE: The user-supplied battery DC bypass breakers or fuses should have a minimum overload rating of 8kA and 500V.**

**Figure 3.1 Battery Cabinet Terminal Detail, 600mm Cabinet; 15-40kVA UPS**



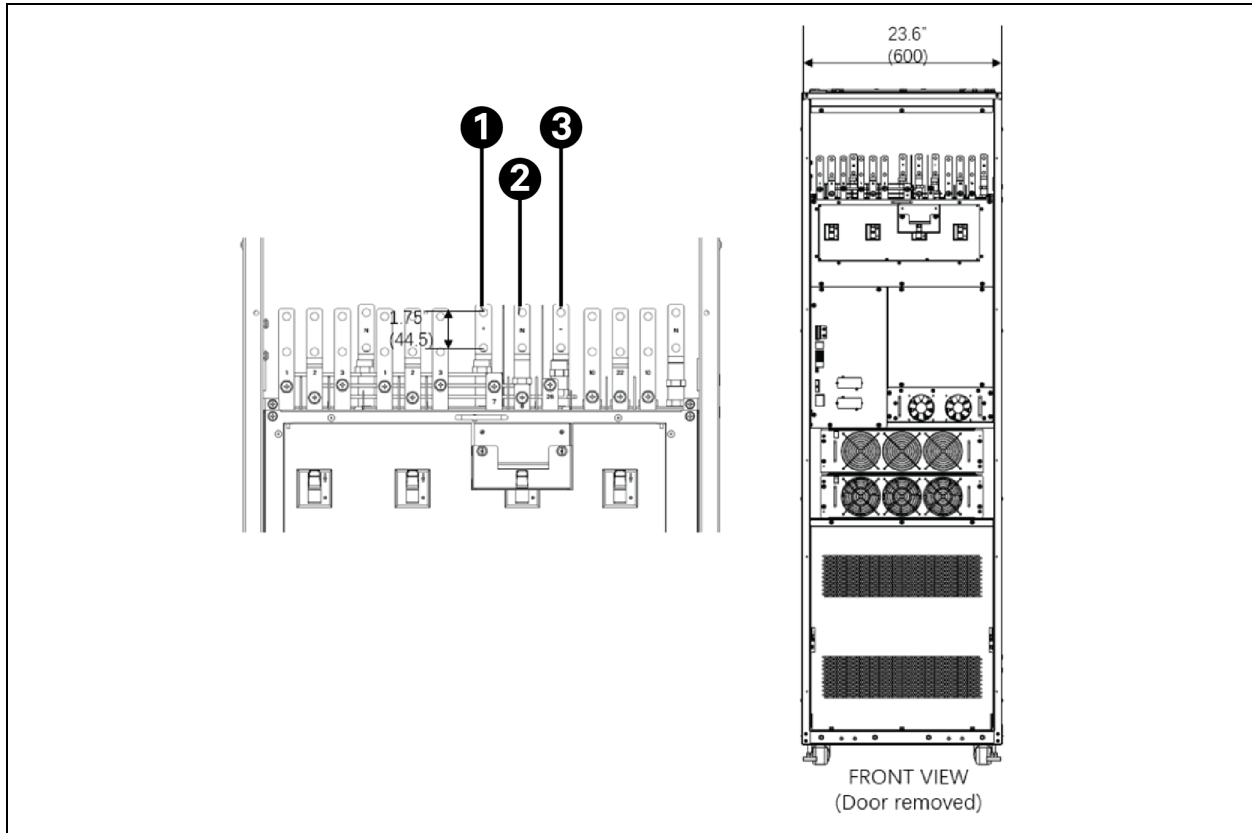
Item	Description
1	Ground Bus
2	DC Breaker
3	DC Power Connections

#### Notes to Figure

- **Bolt Shaft Size:** M10
- **Torque:** 97lbf-in. (11Nm)
  - a. All dimensions are in inches (mm).
  - b. Control wiring and power wiring must be run in separate conduits.
  - c. Copper cables only are recommended.

- d. All wiring is to be in accordance with national and local electrical codes.
- e. If the battery cabinet is attached to the left side of the UPS, Vertiv will supply interconnection cables.

**Figure 3.2 Liebert® EXS UPS Terminal Detail 15-40kVA**



Item	Description
1	Batt +
2	Batt N
3	Batt -

**Notes to Figure**

- 1. Control wiring and power wiring must be run in separate conduits.
- 2. Vertiv recommends using only copper cables.
- 3. All wiring must be in accordance with national and local electrical codes.

Refer to **Figure 3.1** on the previous page for interconnect wiring.

## 3.5 Batteries Approved for Use in Vertiv™ Liebert® EXS Systems

**Table 3.1 Batteries Approved for use in Liebert EXS External Battery Cabinet**

Supplier	Part Number	Weight, Single Battery, lb. (kg)
EnerSys	12HX205	43 (19.5)
CSB	HRL12150	26.5 (12)
	HRL12200	38.1 (17.3)

### 3.5.1 Floor Installation

If the Vertiv™ Liebert EXS, Liebert® BDC or battery cabinet is to be placed on a raised floor, the UPS should be mounted on a pedestal that will support the equipment point loading. Refer to the bottom view in [Installation Drawings](#) on page 21 to design this pedestal.

The mechanical stops are used to prevent the cabinet from rolling and should not be used for leveling or bearing the battery cabinet's weight.

### 3.5.2 Cable Entry

Cables can enter the Liebert® EXS, Liebert® BDC and battery cabinets from the top or bottom through removable metal plates.

Some plates have factory-punched holes and others are designed to allow the personnel to punch holes for fitting and securing the conduit. Once the conduit holes are punched, these plates should be reattached to the UPS. The conduit size and wiring method must be in accordance with all local, regional and national codes and regulations, including NEC ANSI/NFPA 70.

## 3.6 Static Bypass Assembly

## 3.7 Control Wiring

### 3.7.1 Battery Cabinet Interface Connectors

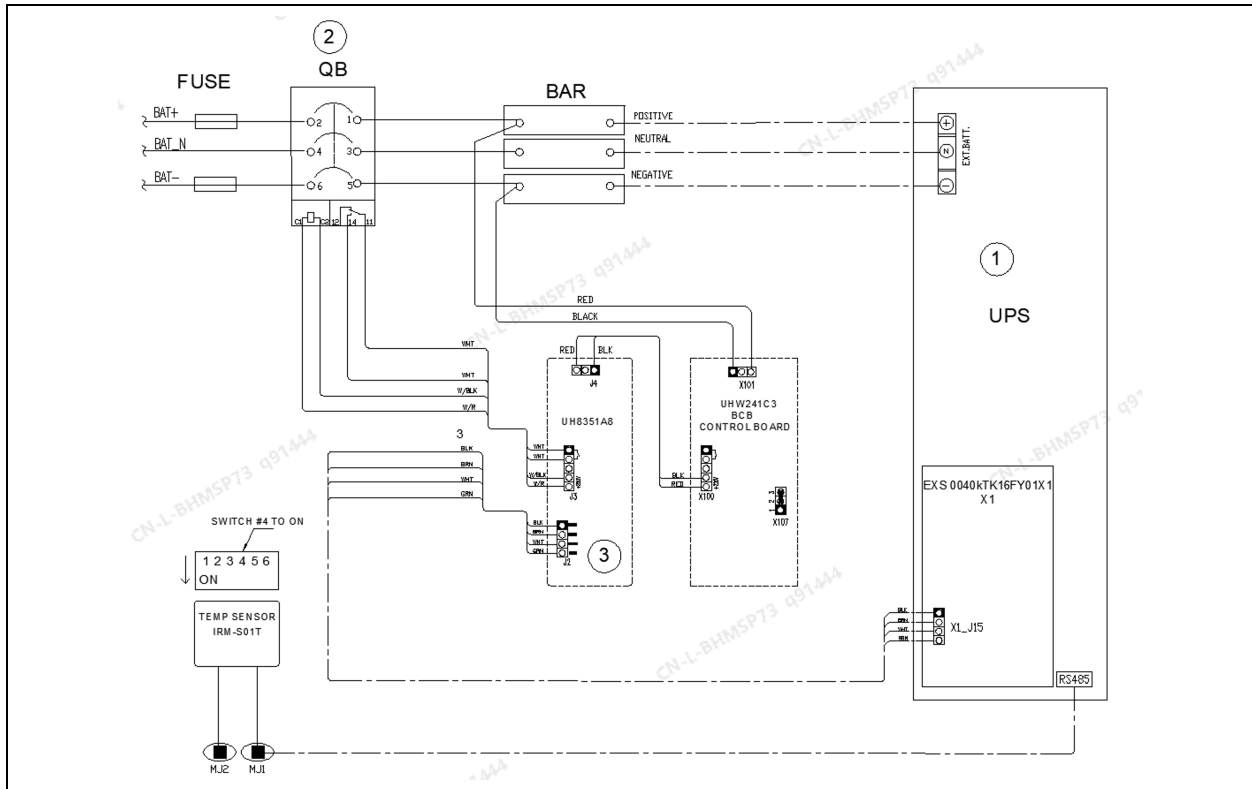
The battery cabinet interface is on the A8 BOARD. Refer to [Figure 3.3](#) on the facing page for circuit details.

**Table 3.2 Battery Cabinet Interface**

Pin	Name	Description
A8-J2-1	12V_DRV	BCB driver signal
A8-J2-1	BCB STATUS	BCB state signal
A8-J2-1	GND_DRY	Dry ground
A8-J2-1	BCB_ON	BCB online signal

**NOTE: All auxiliary cables of terminal must be double insulated. Wire should be 20-16AWG stranded for maximum runs between 80 and 200 feet (25-60m), respectively.**

Figure 3.3 Single Battery Cabinet Connection to Vertiv™ Liebert® EXS



Item	Description
1	UPS
2	BREAKER
3	A8 BOARD

All service and initial connections of batteries must be performed by properly trained and qualified personnel.

### Matching Battery Cabinets—Optional

Although the individual battery cells are sealed (valve-regulated) and require only minimal maintenance, the Battery Cabinets should be given a periodic inspection and electrical check. Checks should be performed at least annually to ensure years of trouble-free service.

### Voltage Records

With the Battery Cabinet DC circuit breaker closed and the connected UPS operating, measure and record battery float voltage. With the DC circuit breaker open, measure and record the nominal (open circuit) voltage. Both these measurements should be made across the final positive and negative terminal lugs. Compare these values with those shown in **Table 3.3** on the next page. The recorded nominal voltage should be no less than the value shown in **Table 3.3** on the next page, while the recorded float voltage should be within the range shown. If a discrepancy is found, contact Vertiv.

**Table 3.3 Battery Voltage, Nominal and Float**

Number of Cells	Battery Voltage, VDC	
	Nominal/Open Cell	Float
120	240	270

**Power Connections:** Check for corrosion and connection integrity. Inspect wiring for discolored or cracked insulation. Clean and/or tighten as required. Refer to torque specifications in **Table 5.3** on page 25

**Battery Cell Terminals:** Check for discoloration, corrosion and connection integrity. Clean and tighten if necessary. Note that when installing a new battery, the initial torque value is 5 lbf-in more than the retorque value. [Torque Requirements](#) on page 30 shows battery retorque values. All batteries are supplied with tab washers for easier connection to the Alber BDSUi™ or other monitoring equipment.

If the system uses a different model battery, contact Vertiv for the required torque value.

To access battery cell terminals, disconnect the inter-tier cable and 2 shelf retaining screws. Once disconnected, insulate (with protective boot or electrical tape) the cables to prevent accidental shorts. The battery shelf can now be pulled out. Tighten each terminal connection to the retorque value. When replacing a battery, the terminal connections must be cleaned and tightened. Disconnect and insulate the cables connected to the battery. Secure each battery shelf with retaining screws when maintenance is complete.



**WARNING! Risk of heavy unit tipping over while being moved. Can cause property damage, injury and death. The 600mm Liebert EXS Battery Cabinet must be moved into position with shipping brackets in place to provide side-to-side stabilization. The brackets may be removed after the battery cabinet is bolted to the Liebert EXS UPS. The casters are strong enough for movement across even surfaces only. Casters may fail if they are subjected to shock loading, such as being dropped or rolled over holes in the floor or obstructions. Such failure may cause the unit to tip over, injuring personnel and damaging the equipment.**



**AVERTISSEMENT! Le centre de gravité élevé de l'appareil présente un risque de renversement lors des déplacements, peut entraîner des dommages matériels, des blessures et même la mort. Les roulettes sont suffisamment résistantes pour le déplacement sur des surfaces planes uniquement. Les roulettes peuvent être endommagées si vous les soumettez à des impacts, notamment en cas de chute ou de passage sur des obstacles ou trous dans le plancher. Une telle défaillance peut causer le renversement de l'appareil, qui risque de blesser le personnel et d'endommager l'équipement.**

When replacing batteries, use the same number and type of batteries.



**WARNING!** Risk of electrical shock. Can cause personal injury and death.

Check for voltage with both AC and DC voltmeters before working within the UPS. Check for voltage with both AC and DC voltmeters before making contact.

Only properly trained and qualified personnel wearing appropriate safety headgear, gloves, shoes and glasses should be involved in installing the UPS or preparing the UPS for installation. When performing maintenance with any part of the equipment under power, service personnel and test equipment should be standing on rubber mats.

Lead-acid batteries contain hazardous materials. Batteries must be handled, transported and recycled or discarded in accordance with federal, state and local regulations. Because lead is a toxic substance, lead-acid batteries must be recycled rather than discarded.

Do not dispose of battery or batteries in a fire. The battery may explode.

Do not open or mutilate the battery or batteries. Released electrolyte is harmful to the skin and eyes. It is toxic.

The following precautions must be observed when working on batteries:

Remove watches, rings and other metal objects.

Use tools with insulated handles.

Wear rubber gloves and boots.

Do not lay tools or metal parts on top of batteries.

Disconnect charging source prior to connecting or disconnecting battery terminals.

Determine whether the battery is grounded. If it is grounded, remove source of ground.

Contact with any part of a grounded battery can result in electrical shock. The likelihood of such shock will be reduced if such grounds are removed during installation and maintenance.

**AVERTISSEMENT!** Risque de décharge électrique pouvant causer des blessures graves, voire mortelles.

Vérifiez les tensions au moyen de voltmètres c.a. et c.c. avant d'utiliser le système ASC. Vérifiez les tensions avec des voltmètres c.a. et c.c. avant d'établir tout contact.

Seuls des employés qualifiés et dûment formés portant un casque, des gants, des chaussures et des lunettes de sécurité adéquats doivent se charger d'installer le système ASC ou de le préparer pour l'installation. Les responsables de l'entretien et l'équipement d'essai doivent reposer sur des tapis de caoutchouc lors de toute intervention sur une pièce d'équipement sous tension.



Les batteries au plomb-acide renferment des matières dangereuses. Les batteries doivent être manipulées, transportées, recyclées ou jetées conformément aux règlements fédéraux, provinciaux et municipaux. Étant donné que le plomb est une substance toxique, les batteries au plomb-acide doivent être recyclées plutôt que mises au rebut.

Ne jetez jamais de batteries au feu car elles risquent d'exploser.

Vous ne devez ni ouvrir ni percer les batteries, car l'électrolyte qui s'en écoulait est nocif pour la peau et les yeux. Cet électrolyte est toxique.

Lorsque vous travaillez avec des batteries, prenez les précautions suivantes:

Retirez montre, bagues et tout autre objet métallique.

Utilisez des outils dont le manche est isolé.

Portez des gants et des bottes de caoutchouc.

Ne posez aucun outil ni pièce métallique sur le dessus d'une batterie.

Déconnectez la source de chargement avant de brancher ou de débrancher les bornes d'une batterie.

Vérifiez si la batterie est mise à la terre. Le cas échéant, éliminez la cause de la mise à la terre.

Le contact avec toute partie d'une batterie mise à la terre peut provoquer une décharge électrique. Pour réduire de tels risques d'accident, débranchez les prises de terre avant de procéder à l'installation ou à l'entretien.

## **3.8 Battery Protection**

### **3.8.1 Battery Undervoltage Warning**

Before the end of discharge, the Liebert EXS displays a low battery warning. After this warning, the battery has the capacity for 5 minutes discharging with full load (default time). The Liebert EXS can be user-configured to display this warning from 3 minutes to 60 minutes before end-of- discharge.

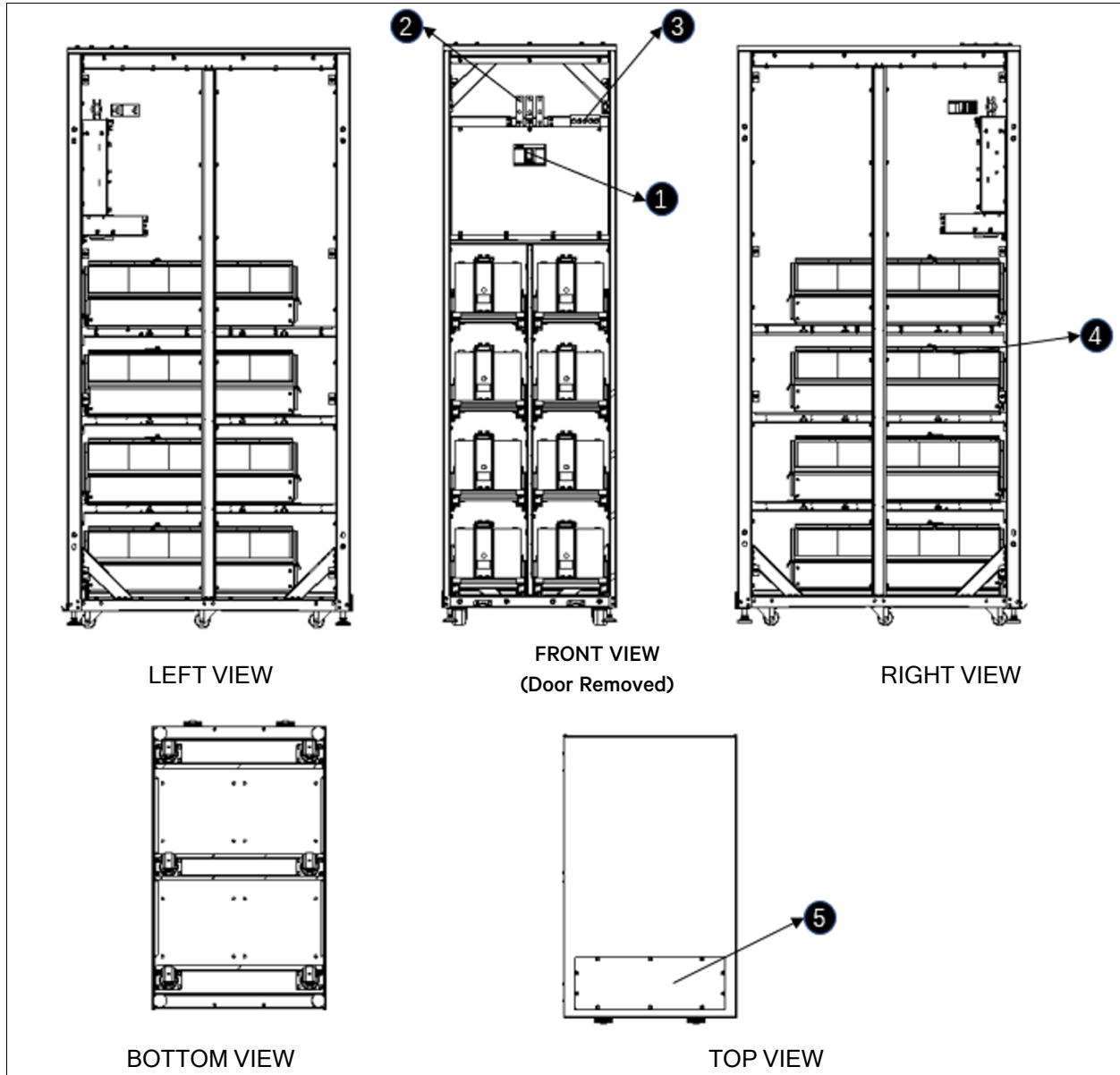
### **3.8.2 Battery End-of-Discharge (EOD) Protection**

If the battery voltage is lower than the end-of-discharge voltage, the battery converter will be shut down.



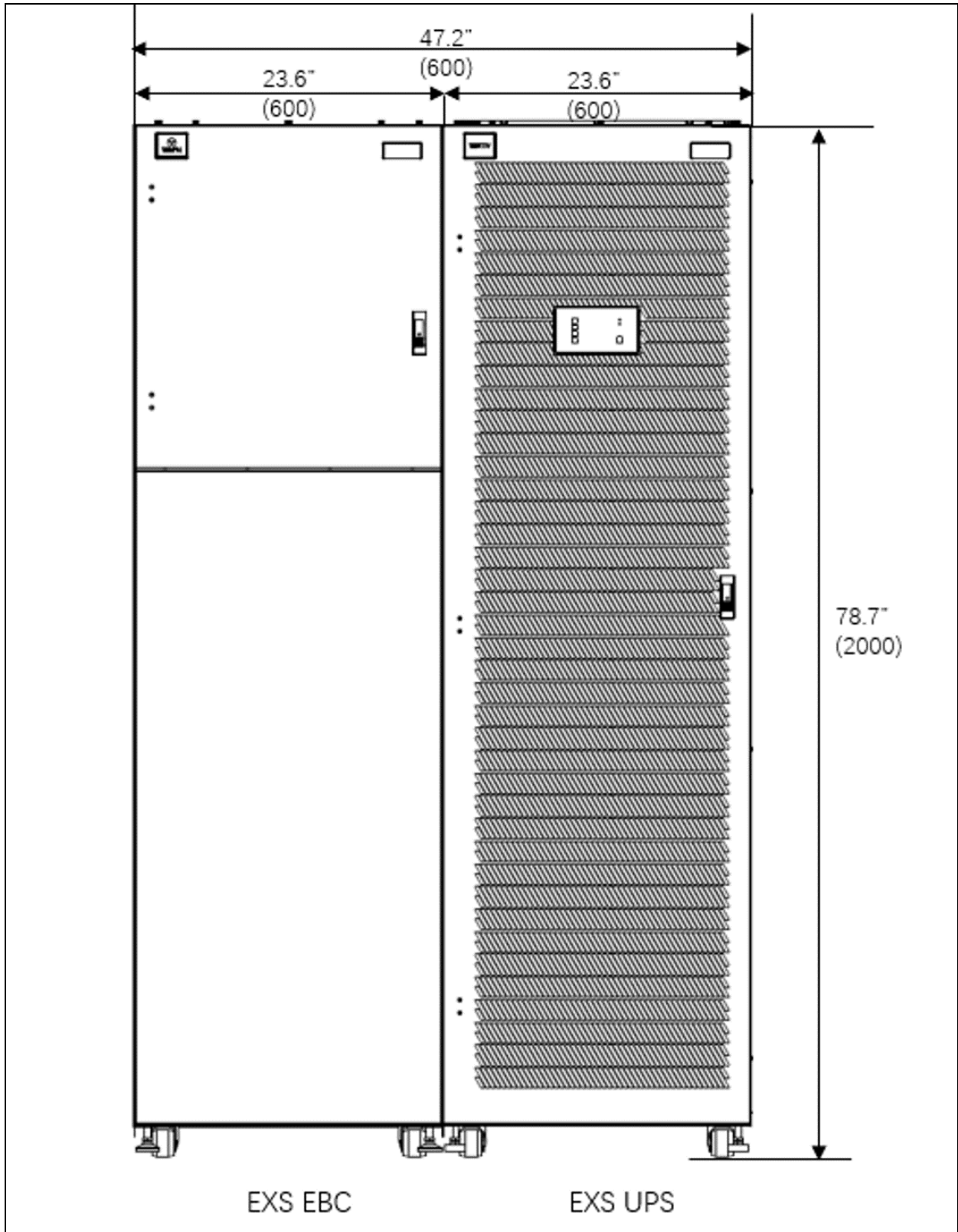
## 4 Installation Drawings

Figure 4.1 Battery Cabinet Outline Drawing and Main Components — 600mm Cabinet



Item	Description
1	TB1 is Inside BIB Box
2	DC Power Connections
3	DC Breaker
4	Battery
5	Conduit Landing 14.6in x 7.6in (373mm x 193mm)

Figure 4.2 Lineup Arrangement, Vertiv™ Liebert EXS with Battery and Liebert BDC



**Notes to figures**

1. Dimensions are in inches (mm).
2. 24in (610mm) minimum clearance above unit and 12in (305mm) rear clearance required for air exhaust and 36in (914mm) clearance for the front side.
3. Keep cabinet within 15 degrees of vertical.
4. Top and bottom cable entry available through removable access plates. Remove the plates, place the cables to fit into the conduit. Install the plates.
5. Unit bottom is structurally adequate for forklift handling.
6. Control wiring and power wiring must be run in separate conduits.
7. All wiring is to be in accordance with national and local electrical codes.

This page intentionally left blank

## 5 Specifications

**Table 5.1 Physical Standards and Parameters**

Battery Cabinet Parameters	Values
Standard Color	Black (ZP-7021)
Front Door Opening (for serviceability)	More than 180°
Degree of Protection for UPS Enclosure	IP 20 (with and without front door open)
Minimum Clearance, Top	24in (610mm)
Minimum Clearance, Back	0in
Minimum Clearance, Sides	0in
Cable Entrance	Top
Standards & Conformities	UL 1778 5th Ed.; CSA 22.2 107.3-14 FCC Part 15, Class A; ISTA Procedure 1H; WEEE; IBC 2012/CBC 2010
Environmental	
Storage Temperature Range, °F (°C)	-13°F to 158°F (-25°C to 70°C) 74°F to 80°F (23°C to 27°C) for optimal battery life
Operating Temperature Range, °F (°C)	32°F to 104°F (0°C to 40°C) 74°F to 80°F (23°C to 27°C) for optimal battery life
Relative Humidity	up to 95% Non-Condensing (Operating and Non-Operating)
Maximum Altitude Above MSL, ft (m)	4920 (1500) (as per IEC 62040/3) - 1% Maximum kW derate / 100m rise between 1500-3000m

**Table 5.2 Battery Cabinet System — Breaker Details**

UPS Rating, kVA	Battery Cabinet Breaker	Frame	ABB Part Number	Battery Cabinet Size, mm
15-40	225A	3VA	3VA52226ED320AA0	600
		T3N	XT3N 225 TMF 225-2250 3p FF UL/CSA	

**Table 5.3 Battery Cabinet System — UPS and Vertiv™ Liebert® EXS Battery Cabinet**

UPS Rating, kVA	Battery Cabinet Breaker	Maximum Battery Current, A	Battery Cabinet Size, mm	Copper Wire	Compression Lug	Bolt Size
15-40	225A	187	600	4/0	Thomas & Betts: 54212 (2Hole)	3/8"

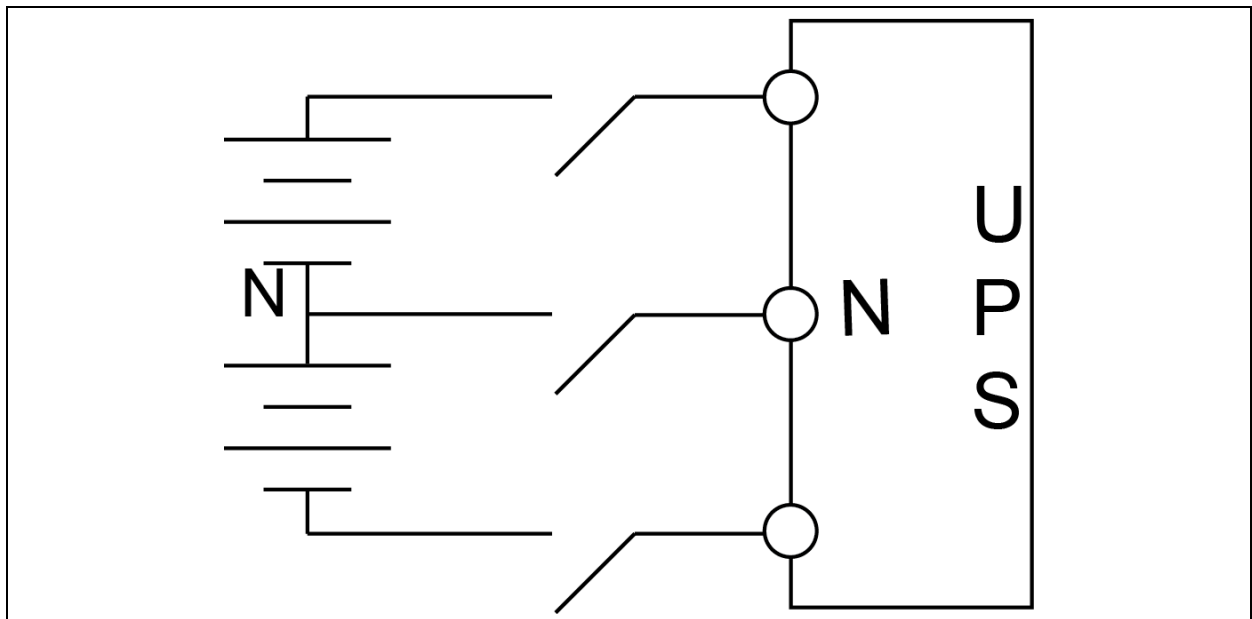
**Table 5.4 Battery Short Circuit Currents**

Supplier	Part Number	Short Circuit Current, Amperes
EnerSys	12HX205-FR	2775
CSB	HRL12150	1116
	HRL12200	1509

**Table 5.5 600mm Battery Cabinet Mechanical Characteristics**

Parameters	Values
Rated Power, kVA	15 - 40
Dimensions, W x D x H, in (mm)	23.625 x 39.375 x 78.75 (600 x 1000 x 2000)
Weight, lb (kg)	
Frame Only (No Batteries)	689 (313)
with 12HX205-FR batteries	1338 (607)
with HRL12150 batteries	1117 (507)
with HRL12200 batteries	1261 (572)
Color	ZP-7021 (Black)
Protection Degree IEC (60529)	IP20 (finger-proof with front doors open or closed)

**Figure 5.1 Battery, Circuit Breaker and UPS Wiring with External Batteries with Three Connecting Wires**



## 6 Maintenance

Become thoroughly familiar with the equipment, but at no time go beyond the specific procedures in this manual while performing maintenance or correcting a malfunction. If you have any doubt as to what must be done, call Vertiv at 1-800-543-2378 for further instructions. The UPS is designed for unattended operation but does require periodic maintenance.

- Keep service records — Troubleshooting is easier if historical service records are available.
- Keep the UPS free of dust and any moisture.
- Keep the UPS cool:
  - Battery systems must be kept in the range of 72°F-77°F (22-25°C) in order to meet design specifications for capacity and longevity.
  - The UPS will reliably meet all performance specifications at temperatures up to 104°F (40°C) and can be slightly derated for operation at even higher temperatures. However, performance and longevity will be optimized when the UPS is operated at the same temperature as the batteries.
- Keep connections tight.
- Tighten all connections at installation and at least annually thereafter. Shown in [Torque Requirements](#) on page 30 .

### 6.1 Record Log

Set up a maintenance log to record scheduled checks and any abnormal conditions.

The log should have space for all metered data including phase readings, alarm messages, UPS mode of operation, air filter replacement date and observation notes. A second log should be maintained for the battery module as directed by the battery manufacturer.

Vertiv recommends a periodic walk-through inspection of the UPS and battery rooms to check for visible and audible indications of problems. Log the inspection, metered parameter indications and any discrepancies.

### 6.2 Battery Maintenance



**WARNING! Risk of electrical shock and arc flash. Can cause property damage, injury and death. These maintenance procedures will expose hazardous live parts. Refer servicing to properly trained and qualified personnel.**



**AVERTISSEMENT! Risque d'arc ou de décharge électrique pouvant entraîner des dommages matériels, des blessures et même la mort. Les procédures d'entretien ci-dessous exposent des composants sous tension dangereuse. Les interventions d'entretien doivent être confiées à du personnel qualifié et dûment formé.**

## 6.3 Battery Safety Precautions

Servicing of batteries should be performed or supervised by personnel experienced with batteries and the required precautions. Keep unauthorized personnel away from batteries. When replacing batteries, use the same number and type of batteries.



**WARNING! Risk of electrical shock. Can cause personal injury and death.**

Check for voltage with both AC and DC voltmeters before working within the UPS. Check for voltage with both AC and DC voltmeters before making contact.

Only properly trained and qualified personnel wearing appropriate safety headgear, gloves, shoes and glasses should be involved in installing the UPS or preparing the UPS for installation. When performing maintenance with any part of the equipment under power, service personnel and test equipment should be standing on rubber mats.

Lead-acid batteries contain hazardous materials. Batteries must be handled, transported and recycled or discarded in accordance with federal, state and local regulations. Because lead is a toxic substance, lead-acid batteries must be recycled rather than discarded.

Do not dispose of battery or batteries in a fire. The battery may explode.

Do not open or mutilate the battery or batteries. Released electrolyte is harmful to the skin and eyes. It is toxic.

The following precautions must be observed when working on batteries:

Remove watches, rings and other metal objects.

Use tools with insulated handles.

Wear rubber gloves and boots.

Do not lay tools or metal parts on top of batteries.

Disconnect charging source prior to connecting or disconnecting battery terminals.

Determine whether the battery is grounded. If it is grounded, remove source of ground.

Contact with any part of a grounded battery can result in electrical shock. The likelihood of such shock will be reduced if such grounds are removed during installation and maintenance.

**AVERTISSEMENT! Risque de décharge électrique pouvant causer des blessures graves, voire mortelles.**

Vérifiez les tensions au moyen de voltmètres c.a. et c.c. avant d'utiliser le système ASC. Vérifiez les tensions avec des voltmètres c.a. et c.c. avant d'établir tout contact.

Seuls des employés qualifiés et dûment formés portant un casque, des gants, des chaussures et des lunettes de sécurité adéquats doivent se charger d'installer le système ASC ou de le préparer pour l'installation. Les responsables de l'entretien et l'équipement d'essai doivent reposer sur des tapis de caoutchouc lors de toute intervention sur une pièce d'équipement sous tension.



Les batteries au plomb-acide renferment des matières dangereuses. Les batteries doivent être manipulées, transportées, recyclées ou jetées conformément aux règlements fédéraux, provinciaux et municipaux. Étant donné que le plomb est une substance toxique, les batteries au plomb-acide doivent être recyclées plutôt que mises au rebut.

Ne jetez jamais de batteries au feu car elles risquent d'exploser.

Vous ne devez ni ouvrir ni percer les batteries, car l'électrolyte qui s'en écoulait est nocif pour la peau et les yeux. Cet électrolyte est toxique.

Lorsque vous travaillez avec des batteries, prenez les précautions suivantes:

Retirez montre, bagues et tout autre objet métallique.

Utilisez des outils dont le manche est isolé.

Portez des gants et des bottes de caoutchouc.



**Ne posez aucun outil ni pièce métallique sur le dessus d'une batterie.**  
**Déconnectez la source de chargement avant de brancher ou de débrancher les bornes d'une batterie.**  
**Vérifiez si la batterie est mise à la terre. Le cas échéant, éliminez la cause de la mise à la terre.**  
**Le contact avec toute partie d'une batterie mise à la terre peut provoquer une décharge électrique. Pour réduire de tels risques d'accident, débranchez les prises de terre avant de procéder à l'installation ou à l'entretien.**

Regular maintenance of the battery module is an absolute necessity. Periodic inspections of battery and terminal voltages, specific gravity, and connection resistance should be made. Strictly follow the procedures outlined in the battery manufacturer's manual. See battery manufacturer's website.

Valve-regulated lead-acid batteries do require periodic maintenance. Although they do not require maintenance of electrolyte levels, visual inspections and checks of battery voltage and connection resistance should be made.

#### NOTICE

Do not use cleaners on the batteries. Solvents can make the battery cases brittle. Use only a dry cloth or a cloth moistened in water.

Since individual battery characteristics are not identical and may change over time, the UPS module is equipped with circuitry to equalize battery cell voltages. This circuit temporarily increases charging voltage to maintain flooded type battery cells at full capacity.



**WARNING! Risk of electric shock, explosive reaction, hazardous chemicals and fire. Can cause equipment damage, personal injury and death. Do not use equalize charging with valve-regulated, lead-acid batteries, such as those in Liebert Battery Cabinets. Refer to the battery manufacturer's manual, available on the manufacturer's Web site, for specific information about equalize charging.**



**AVERTISSEMENT! Risque de décharge électrique, de réaction explosive, d'incendie et d'exposition à des produits chimiques dangereux pouvant entraîner des dommages matériels, des blessures et même la mort. N'utilisez pas de charge d'égalisation avec des batteries d'accumulateurs au plomb à régulation par soupape, comme celles utilisées dans les armoires de batterie Liebert. Reportez-vous au manuel du fabricant des batteries, disponible sur le site Web du fabricant, pour obtenir des renseignements précis sur la charge d'égalisation.**

## 6.4 Torque Requirements

All electrical connections must be tight.

Refer **Table 6.1** below to **Table 6.3** below that provide the torque values for the connections in the UPS and batteries. Use these values unless the equipment is labeled otherwise.

**Table 6.1 Busbars (for Power Wiring)**

Bolt Shaft Size	lbf-in	Nm
3/8" (M10)	192	22
1/2" (M12)	428	48

**Table 6.2 Terminal Block with Compression Lugs (for Control Wiring)**

AWG Wire Size or Range	lbf-in	Nm
#22 - #14	3.5 to 5.3	0.4 to 0.6

**Table 6.3 Battery Retorque Values**

Battery Mfr.	Battery Model Number	Retorque Value lbf-in. (Nm)
EnerSys	12 HX205-FR	65 (7.3)
CSB	HRL12150	45.1 (5.1)
	HRL12200	45.1 (5.1)

### **Connect with Vertiv on Social Media**



<https://www.facebook.com/vertiv/>



<https://www.instagram.com/vertiv/>



<https://www.linkedin.com/company/vertiv/>



<https://www.twitter.com/Vertiv/>



---

Vertiv.com | Vertiv Headquarters, 505 N Cleveland Ave, Westerville, OH 43082 USA

©2023 Vertiv Group Corp. All rights reserved. Vertiv™ and the Vertiv logo are trademarks or registered trademarks of Vertiv Group Corp. All other names and logos referred to are trade names, trademarks or registered trademarks of their respective owners. While every precaution has been taken to ensure accuracy and completeness here, Vertiv Group Corp. assumes no responsibility, and disclaims all liability, for damages resulting from use of this information or for any errors or omissions.

SL-71126\_REVA\_11-23