

# Avocent® HMX Extender System

## HMX 8000, HMX 6500 and HMX Advanced Manager



### Rack Mount Installation Guide

This guide covers:

- Vertiv™ Avocent HMX 8000 High Performance KVM extender system transmitters and receivers.
- Vertiv Avocent HMX 6500 High Performance KVM receivers.
- Vertiv Avocent HMX Advanced Manager G2 servers

**CAUTION:** HMX devices and their power supplies generate heat during operation. Do not mount them where air cannot circulate to cool the equipment. One-third of the U space (1/2 inch) must be allowed between rows of extenders when mounting within a rack chassis.

Do not operate the system in ambient temperatures exceeding 104°F (40°C) or place transmitters or receivers in contact with equipment that exceeds that surface temperature.

#### 1. Installing in the rack

Install the rack mount tray in the rack and fully secure it.

#### 2. Installing in the tray

Place your HMX device into each side of the rack mount tray so the rear panels press up against the small pegs on the side walls.

#### 3. Inserting the thumbscrew

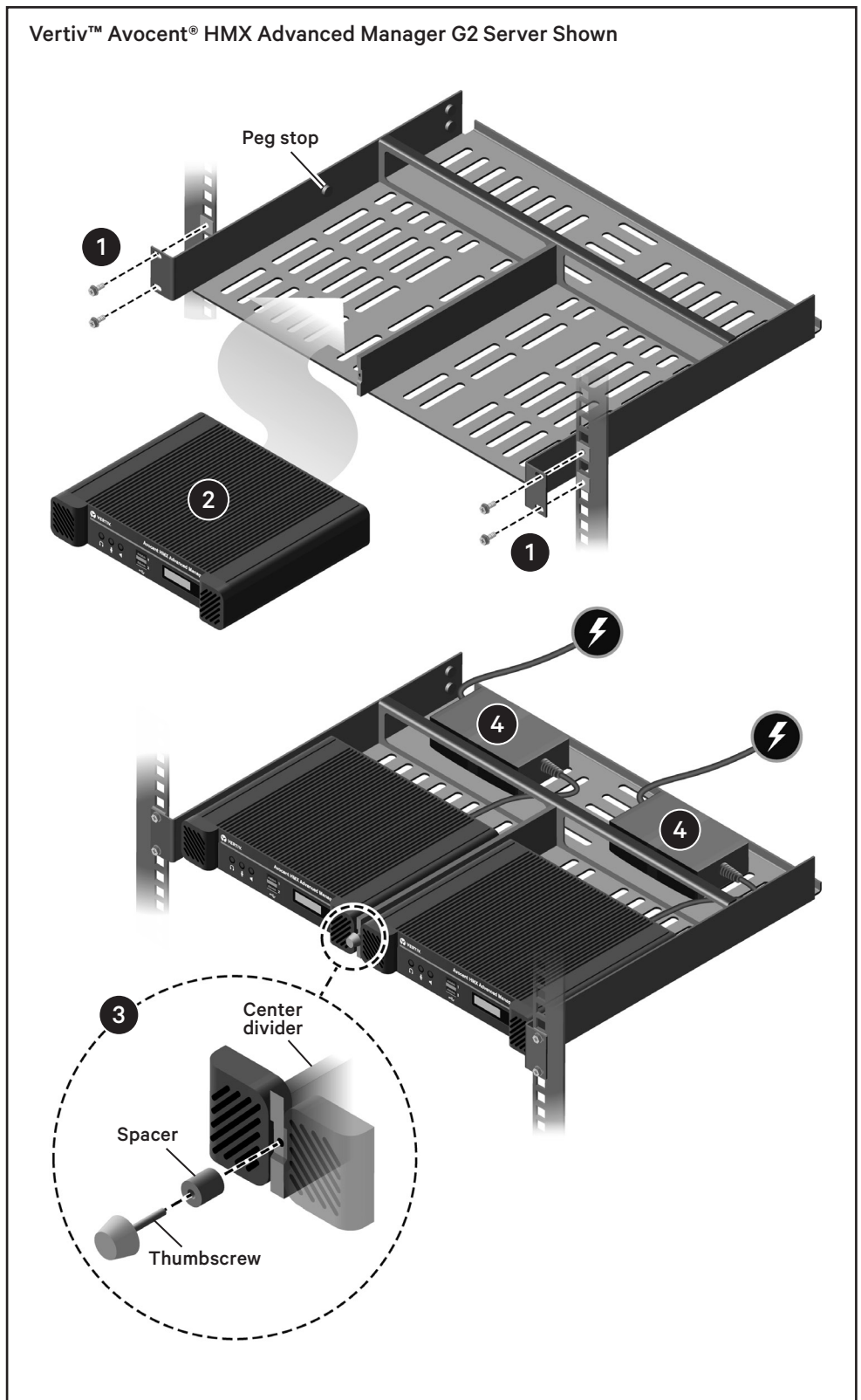
Insert the supplied thumbscrew through the supplied spacer and then insert through the small hole at the end of the center divider. Gently tighten the thumbscrew so the spacer engages with the inner edges of each HMX device and holds them in place.

#### 4. Connecting power

Place the power adaptors in the rear of the rack mount tray. Connect one end of each adaptor to your HMX device and the other end to an AC power source.

#### 5. Making other connections

Make all other connections to each HMX device in your extender system.



## Blanking plate installation

### 1. Attaching the slotted flange

**NOTE:** Be sure the tray is supported at all times during the blanking plate installation.

Loosen, do not fully remove, the two bolts holding one of the tray's flanges to the rack upright. In the space between the loosened bolt heads and the tray flange, insert the blanking plate's slotted flange.

On the opposite end of the blanking plate, be sure the tongue slot is aligned with the hole in the end of the tray divider.

Re-tighten the tray flange screws.

### 2. Attaching the slotted tongue

Slip the supplied spacer onto the threaded shaft of the thumbscrew. Insert the thumbscrew/spacer through the blanking plate's tongue slot and into the small hole at the end of the tray divider.

Gently tighten the thumbscrew so the spacer engages with the inner edge of the HMX device, holding the device and the captured blanking plate's slotted tongue in place.

