

# VERTIV™ BBE OPFO SERIES

OPFOTV8 Broadband Edge Enclosures



## KEY FEATURES

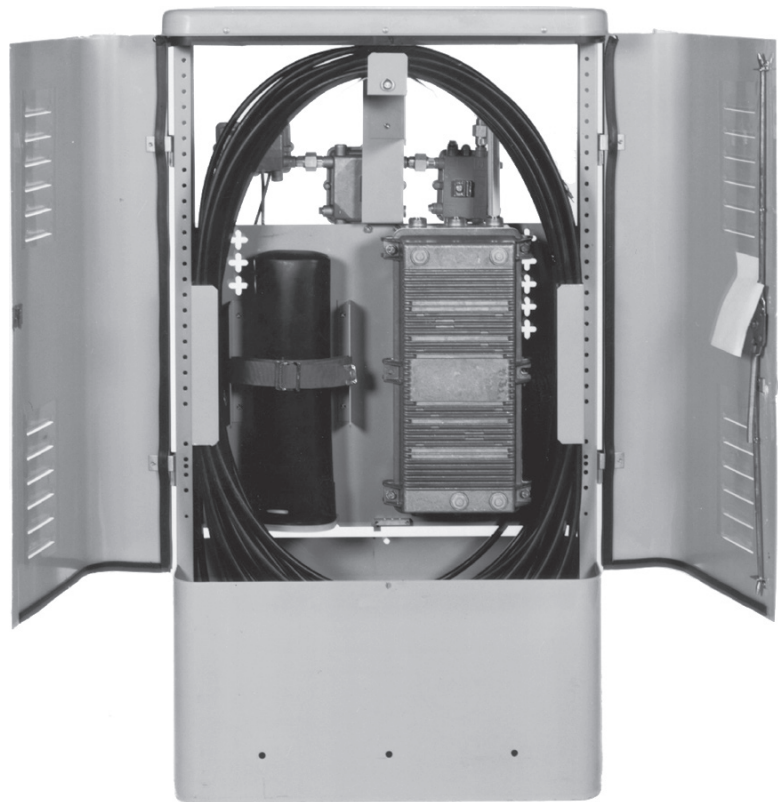
- Hinged removable front and rear doors and removable cap permit 360° access; allow efficient installation of distribution equipment.
- Accommodates fiber splice, amplifier, coiled cable, tap, splitter, and power inserter to eliminate multiple pedestal sites.
- Grooming/locking bracket provides organized installation and removal of cable.
- Mounting plate allows good housekeeping for installation and separation of fiber optic and coaxial equipment.
- Screened louvers dissipate heat; keep insects out.
- Mounts most fiber splice enclosures for installation flexibility.
- Closed-cell weather stripping lines all door edges for weatherproof protection.
- Our unique multistage gray-green finishing process meets or exceeds EPA standards, and provides a tough corrosion-resistant finish for longer life.

## Description

The Vertiv™ BBE OPFO Series, OPFOTV8 is an upright cabinet used for housing an optical node, fiber splice enclosure, and up to 150 feet of optical cable. Mounting accommodations are provided for converting optical and coaxial signals. The internal components consist of a mounting plate and cable arrangement brackets. All components are manufactured of heavy gauge mill-galvanized steel, treated with a multistage gray-green finishing process for longer life.

## Application

The OPFOTV8 serves as an above-grade cabinet for fiber optic and coaxial distribution equipment. Mounting accommodations are provided for combining an optical node, fiber optic splice unit, amplifier, directional coupler, power inserter, tap, splitters, etc.

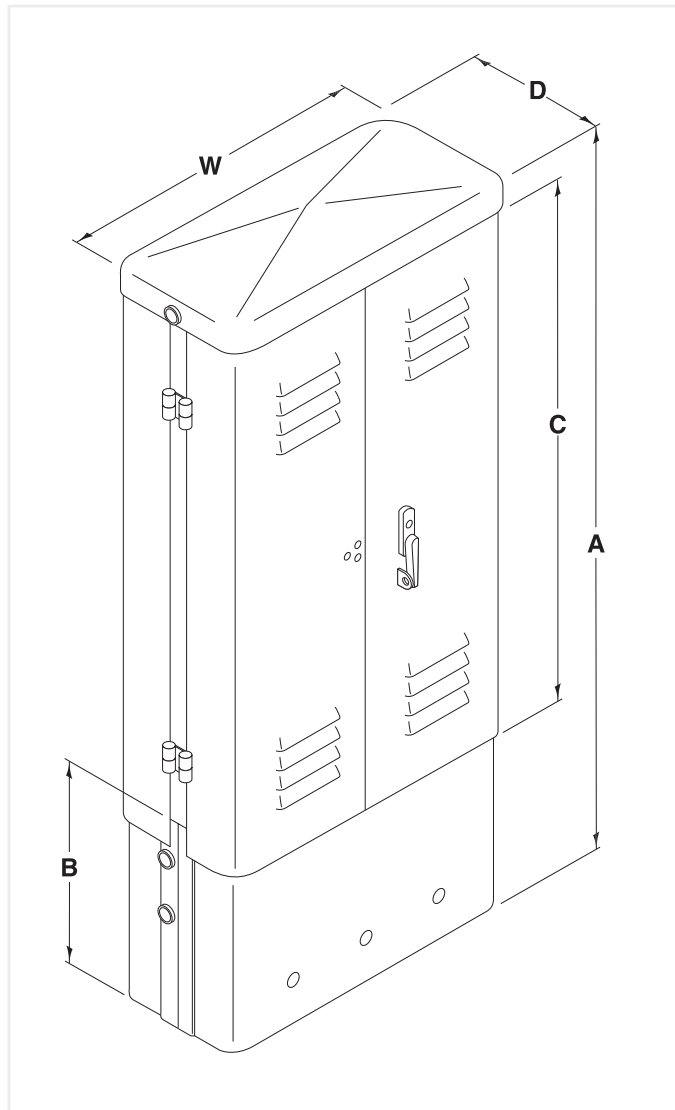


OPFOTV8  
Shown with FiberSeal Splice Enclosure

## Dimensions and Ordering Information

CATALOG NUMBER	PART NUMBER	A	B	C	D	W
OPFOTV8	F112497	49.5	14	33.25	12	28

NOTE 1: The OPFOTV8 includes two 42-in. mounting stakes. An optional pad-mounting kit is available for pad-mount applications (catalog number PADMT200300).



VertivCo.com | Vertiv Headquarters, 1050 Dearborn Drive, Columbus, OH, 43085, USA

© 2018 Vertiv Co. All rights reserved. Vertiv and the Vertiv logo are trademarks or registered trademarks of Vertiv Co. All other names and logos referred to are trade names, trademarks or registered trademarks of their respective owners. While every precaution has been taken to ensure accuracy and completeness herein, Vertiv Co. assumes no responsibility, and disclaims all liability, for damages resulting from use of this information or for any errors or omissions. Specifications are subject to change without notice.