

SLIDE RAIL REPLACEMENT SERVICE KIT

Quick Installation Guide

When replacing the slide rails, you must replace both the inner and outer rails, marked Right and Left. Before replacing the slide rails, you must ensure you are using the correct slide rail and remove the LCD console tray and any installed KVM switches from the rack.

1. Detaching the Cable Management Arm (CMA)

From the back of the rack, unscrew the captive screw from the CMA.

2. Extending the slide rails

Pull the LCD console tray out until the slide rails are in a fully extended position.

3. Removing the console tray

Press the blue tabs on each side of the LCD console tray and slide the tray out of the rack.

4. Releasing the front lock

At the front of the rack, pull the blue tab to release the lock.

5. Releasing the back lock

Repeat Step 4 in the back of the rack and slide the rail out of the rack.

6. Detaching the front brackets

Unscrew the two pairs of screws to detach the left and right brackets from the front vertical rack flanges.

7. Detaching the rear brackets

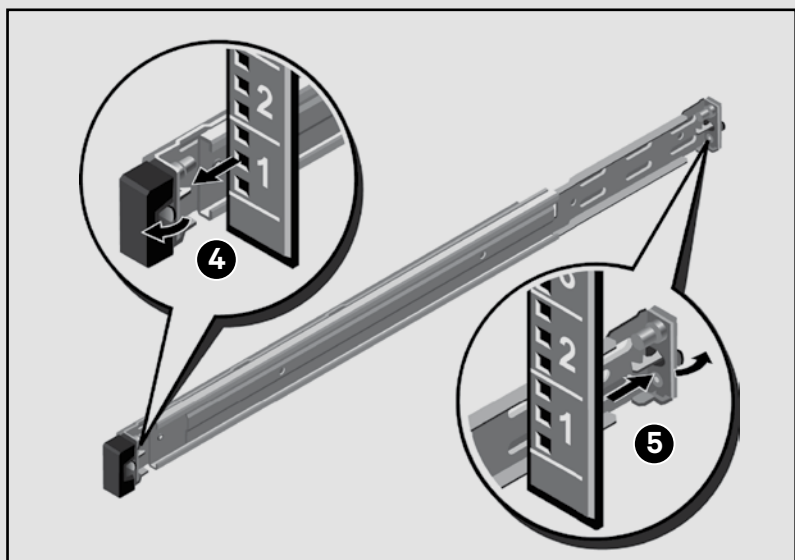
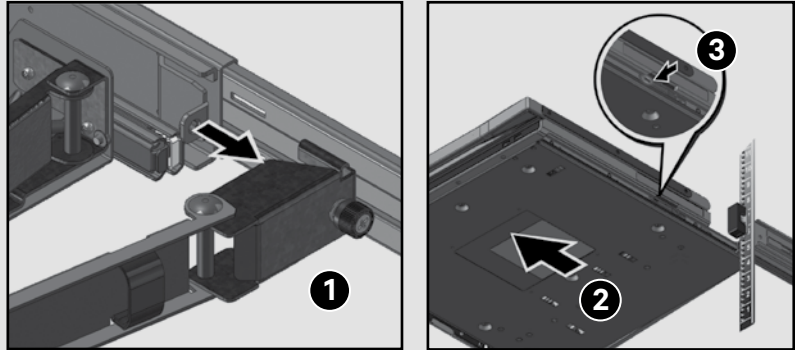
Unscrew the two pairs of screws to detach the left and right mounting rails from the back vertical rack flanges.

8. Unfastening the keyboard from the tray assembly

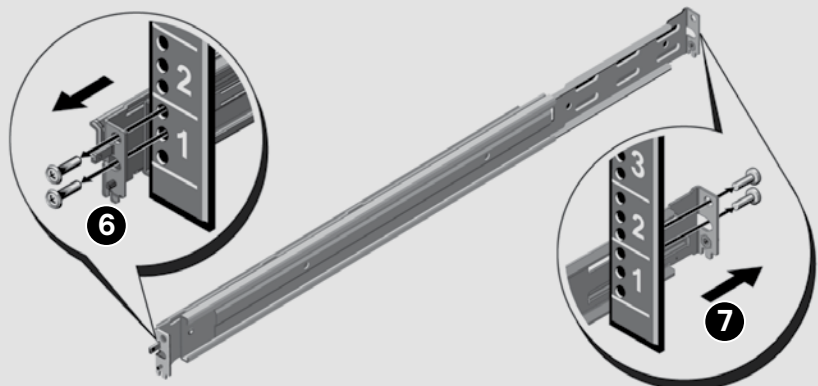
Remove and save the six screws that secure the keyboard to the tray assembly.

9. Removing the trim strip screws

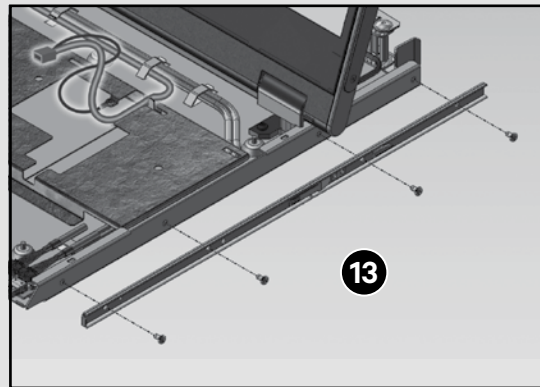
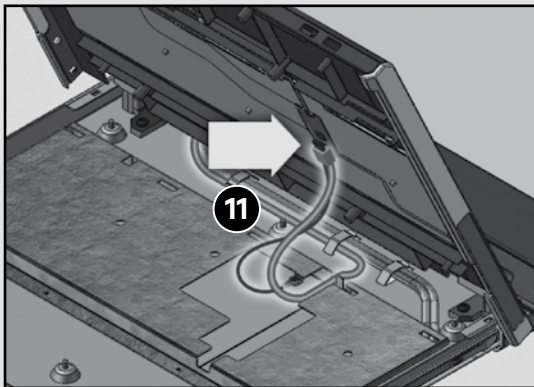
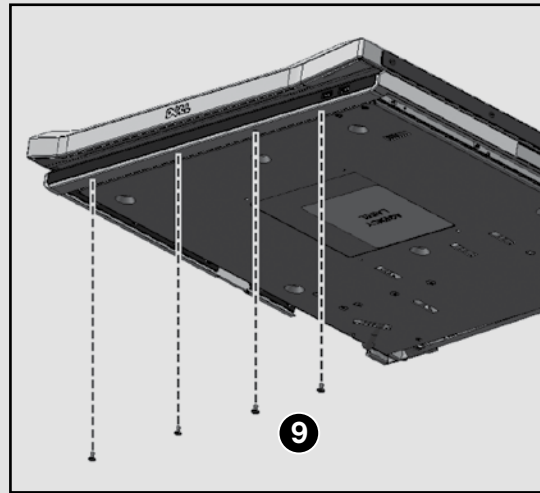
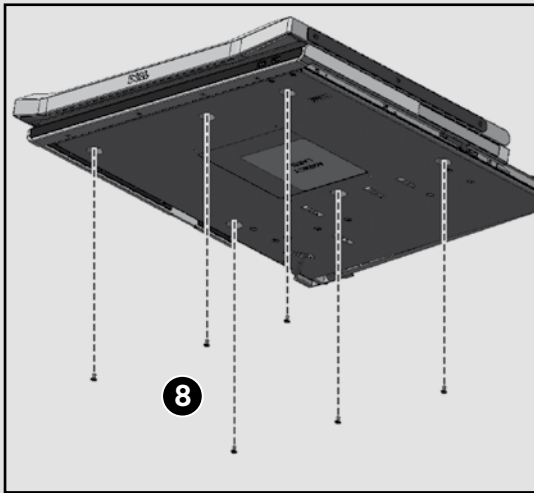
Removing the LCD Console Tray and Tool-less Rails



Removing Tooled Rails



Replacing the Inner Rails



Remove and save the four screws from the trim strip on the front of the LCD console tray. Bow the trim strip to release the captured ends and remove the tray.

10. Revealing the inner rails

Slide the keyboard/touch pad assembly forward and lift it to reveal the inner rail.

11. Disconnecting the cable

Disconnect the USB cable between the bottom of the tray and the keyboard controller.

12. Removing the assembly

Remove the keyboard/touch pad assembly.

13. Removing the inner rail screws

Remove the four screws connecting the inner rail to the LCD console tray.

14. Replacing the inner rails

Replace the left and right inner rails and secure them to the rack with the new supplied screws. Repeat Steps 13 and 14 on the opposite LCD console tray side.

15. Reconnecting the cable

Reconnect the USB cable to the keyboard/touch pad assembly.

NOTE: The connector is keyed for directional installation.

16. Securing the cables

Slide the keyboard/touch pad assembly back into position, ensuring the cables are secure and are not pinched.

17. Securing the assembly

Secure the keyboard/touch pad assembly to the tray using the six screws you removed in Step 8.

18. Securing the trim strip

Insert one side of the bottom trim strip and bow it until you are able to seat the other side of the trim strip properly. Secure the trim strip using the screws you removed in Step 9.

To contact Vertiv Technical Support: visit www.VertivCo.com

© 2017 Vertiv Co. All rights reserved. Vertiv and the Vertiv logo are trademarks or registered trademarks of Vertiv Co. All other names and logos referred to are trade names, trademarks or registered trademarks of their respective owners. While every precaution has been taken to ensure accuracy and completeness herein, Vertiv Co. assumes no responsibility, and disclaims all liability, for damages resulting from use of this information or for any errors or omissions. Specifications are subject to change without notice.

