

LCD CONSOLE TRAY RACK MOUNT

Quick Installation Guide

Before installing the rack mount LCD console tray, stabilize the rack in a permanent location. Using the supplied 1U rack mount kit, rack mount your equipment starting at the bottom, then work to the top. Avoid uneven loading or overloading of racks.

CAUTION: Do not mount the equipment in the rack in a way that creates a hazardous condition due to uneven mechanical loading.

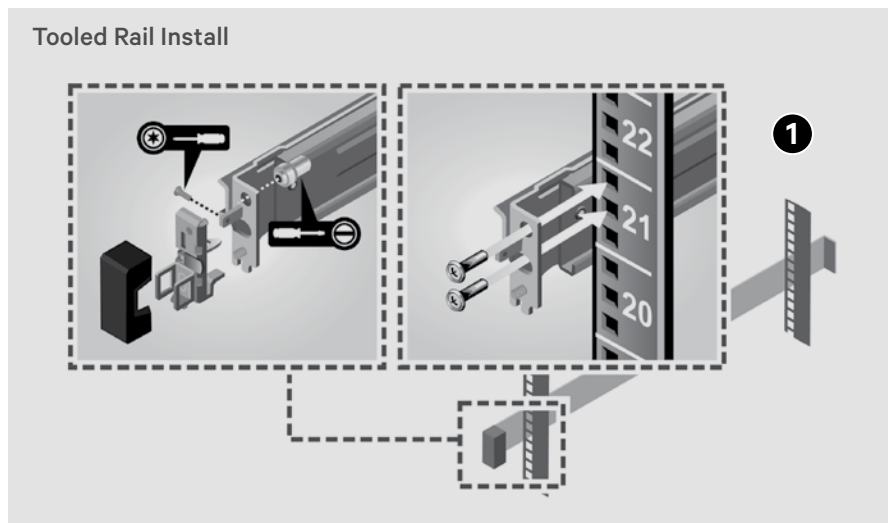
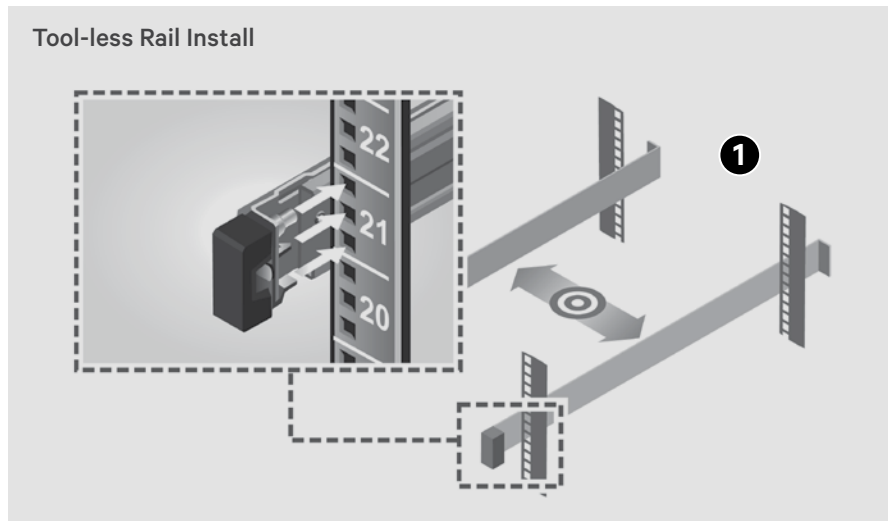
1. Installing the slide rails

Tool-less Install

Orient each slide rail so that its two flanged ends point outward from the center of the rack. Position the front flange over the holes of the desired U space on the rack's post. Engage the two positioning pins and latch, inserting them into the post's holes until the latch clicks in place. Repeat for back slide-rail flange.

Tooled Install

Using a Torx™-head screwdriver and a flat-tipped screwdriver, remove the positioning pin/latch assembly from the front and back slide rail flanges. Position the slide rail in the desired U rack space and using the newly revealed flange holes, attach the slide rail flanges to the front and back rack posts using the two pairs of screws.



2. Installing the rack mount LCD console tray

NOTE: Ensure that the system is properly supported until the chassis rail members are inserted into the slide rails on both sides.

Pull the slide rails out of the rack until they are fully extended. Confirm the ball-bearing races are at their forward-most position. Align and insert the ends of the inner rail members into the ends of the rails. Push the system inward until the inner rail members are fully inserted. Pull and push the LCD console tray in and out of the rack until it slides smoothly within the rack.

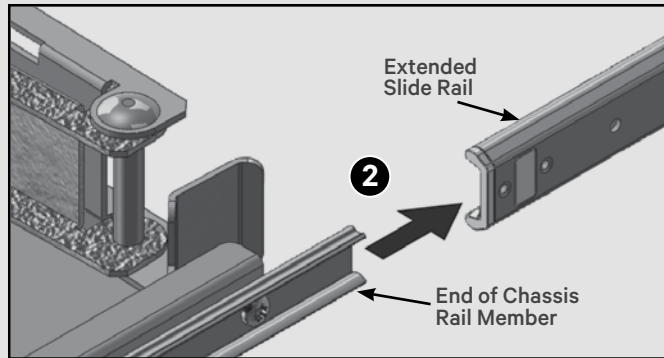
3. Attaching the Cable Management Arm (CMA)

From the back of the rack, cut the zip tie that secures the CMA to the back of the LCD console tray. Swing the free end of the CMA out to the bracket on the end of the left outer rail and attach the arm to the bracket with the captive screw on the end of the arm.

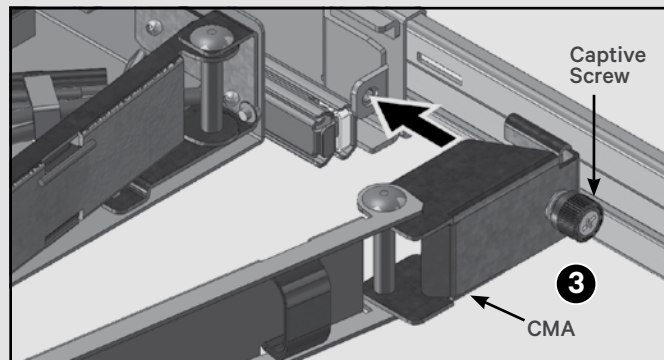
4. Threading the cables to the back of the rack

Gently thread the cables through the cable channel on the CMA, then secure the cables to the rear bracket, ensuring they aren't pulled too tight.

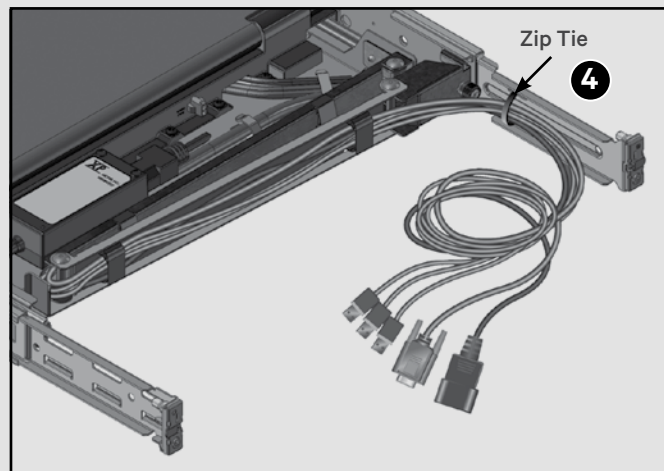
Inserting the LCD Console Tray in the Slide Rail



Attaching the CMA



Threading the Cables



To contact Vertiv Technical Support: visit www.VertivCo.com

© 2017 Vertiv Co. All rights reserved. Vertiv and the Vertiv logo are trademarks or registered trademarks of Vertiv Co. All other names and logos referred to are trade names, trademarks or registered trademarks of their respective owners. While every precaution has been taken to ensure accuracy and completeness herein, Vertiv Co. assumes no responsibility, and disclaims all liability, for damages resulting from use of this information or for any errors or omissions. Specifications are subject to change without notice.

