

# LCD CONSOLE TRAY AND KVM SWITCH



## Quick Installation Guide

The 1U rack mount LCD console tray enables you to mount a server console switch behind the LCD console tray in the same 1U space.

**NOTE:** The minimum EIA flange spacing for the LCD console tray and console switch is 450 mm.

### 1. Removing existing brackets

Remove any brackets and standoffs that shipped with the KVM switch.

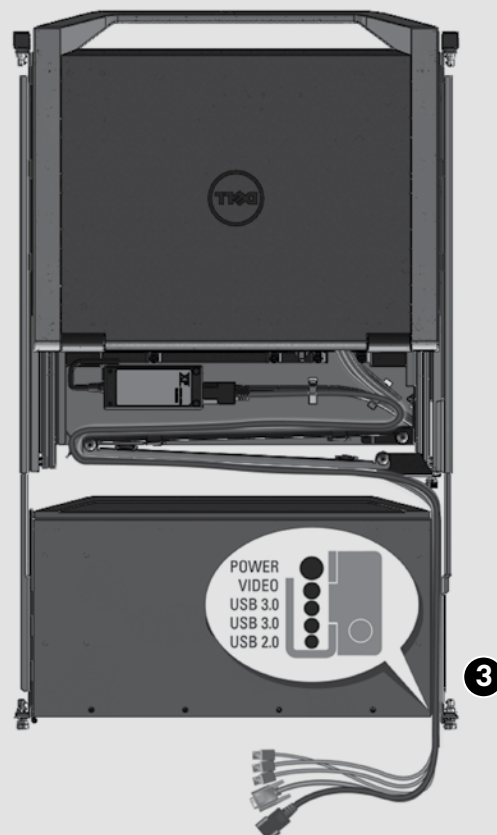
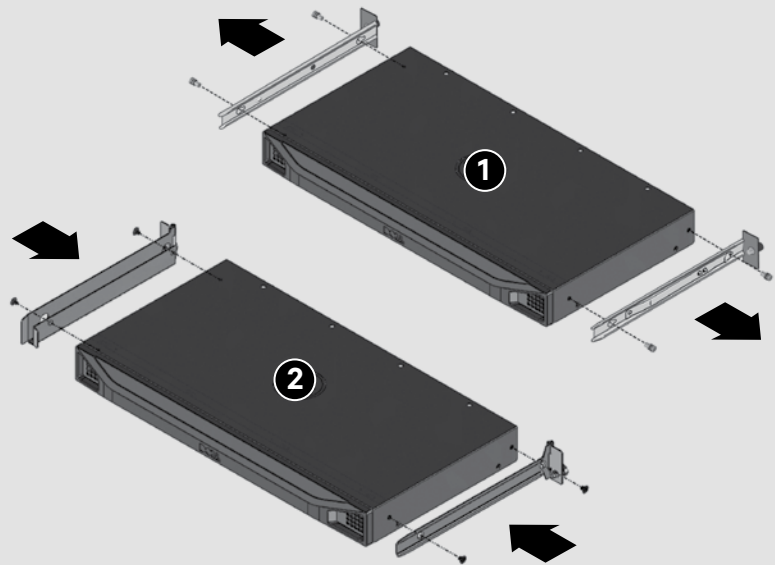
### 2. Attaching new brackets

Attach a bracket to each side of the switch using two provided screws per side. Refer to image two for the correct bracket positioning.

### 3. Routing cables

Route the provided cables through the cable channel on the side of the switch. Refer to image three for the proper cable stack-up.

LCD Console Tray KVM Switch Installation

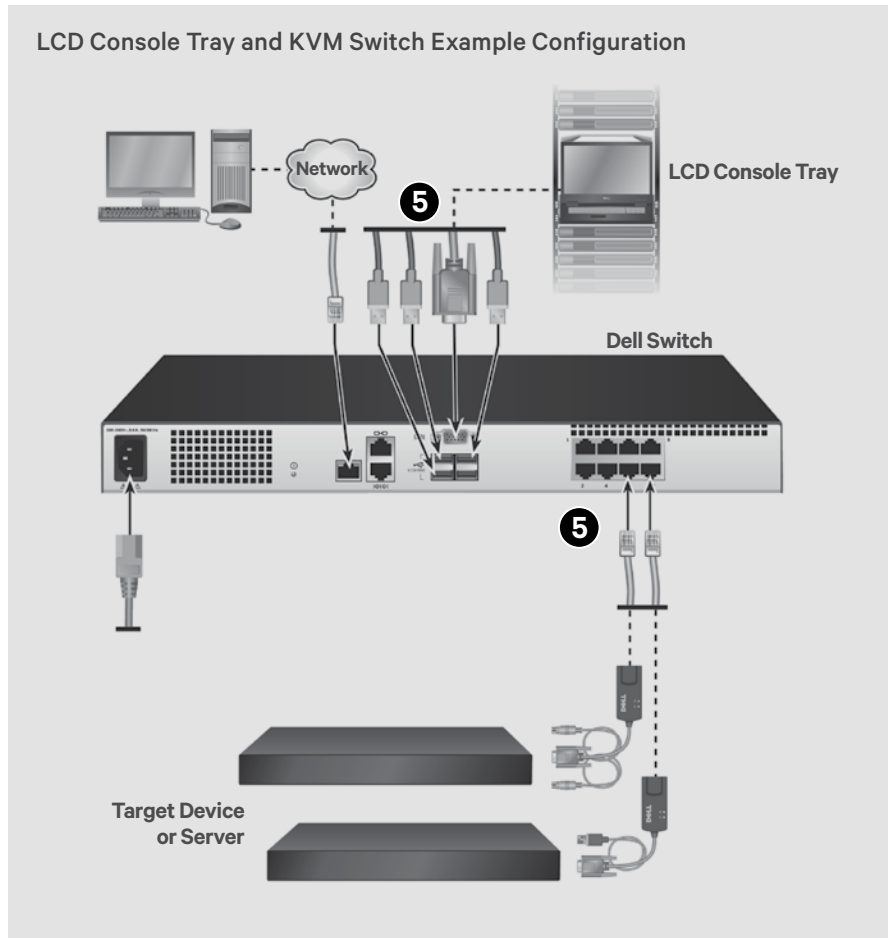


**4. Installing the switch**

From the back of the rack, push the switch in behind the LCD console tray and secure the switch with the supplied thumbscrews.

**5. Connecting the switch**

Connect the switch to the LCD console tray and connect any servers or target devices to the switch.



**To contact Vertiv Technical Support: visit [www.VertivCo.com](http://www.VertivCo.com)**

© 2017 Vertiv Co. All rights reserved. Vertiv and the Vertiv logo are trademarks or registered trademarks of Vertiv Co. All other names and logos referred to are trade names, trademarks or registered trademarks of their respective owners. While every precaution has been taken to ensure accuracy and completeness herein, Vertiv Co. assumes no responsibility, and disclaims all liability, for damages resulting from use of this information or for any errors or omissions. Specifications are subject to change without notice.

