



NetSure™ -48 VDC Power System

Quick Start Guide

Specification Number: 582137000

Model Number: 512NGBB

The information contained in this document is subject to change without notice and may not be suitable for all applications. While every precaution has been taken to ensure the accuracy and completeness of this document, Vertiv assumes no responsibility and disclaims all liability for damages resulting from use of this information or for any errors or omissions. Refer to other local practices or building codes as applicable for the correct methods, tools, and materials to be used in performing procedures not specifically described in this document.

The products covered by this instruction manual are manufactured and/or sold by Vertiv. This document is the property of Vertiv and contains confidential and proprietary information owned by Vertiv. Any copying, use or disclosure of it without the written permission of Vertiv is strictly prohibited.

Names of companies and products are trademarks or registered trademarks of the respective companies. Any questions regarding usage of trademark names should be directed to the original manufacturer.

Technical Support Site

If you encounter any installation or operational issues with your product, check the pertinent section of this manual to see if the issue can be resolved by following outlined procedures.

Visit <https://www.vertiv.com/en-us/support/> for additional assistance.

TABLE OF CONTENTS

| | |
|--|-----------|
| Admonishments Used in this Document | iv |
| Important Safety Instructions | v |
| Safety Admonishments Definitions..... | v |
| Safety and Regulatory Statements..... | v |
| Déclarations de Sécurité et de Réglementation..... | v |
| 1 Customer Documentation Package | 1 |
| 2 Physical Installation | 1 |
| 3 Installing Circuit Breakers and Fuses | 2 |
| 4 Install and Wire Transient Voltage Surge Suppressor (TVSS) Devices | 5 |
| 5 Electrical Connections | 6 |
| 5.1 Important Safety Instructions..... | 6 |
| 5.2 Relay Rack / Cabinet Frame Grounding Connection..... | 6 |
| 5.3 Central Office Ground Connection..... | 6 |
| 5.4 Ground Connection to a Transient Voltage Surge Suppressor (TVSS) Devices..... | 6 |
| 5.5 AC Input and AC Input Equipment Grounding Connections to 588705300 Module Mounting Shelf(s)..... | 6 |
| 5.6 External Alarm, Reference, Monitoring, and Control Connections | 8 |
| 5.6.1 Circuit Card and Connector Locations..... | 8 |
| 5.6.2 System Interface Circuit Card Connections (if required) (List 27 Distribution Cabinet Only)..... | 10 |
| 5.6.3 IB2 (Controller Interface Board) Connections (if required) | 11 |
| 5.6.4 EIB (Controller Extended Interface Board) Connections (if required)..... | 16 |
| 5.7 Controller Ethernet Connection (if required)..... | 21 |
| 5.7.1 Connecting a Device or System to the Controller's CAN Bus (List 27 Distribution Cabinet Only)..... | 22 |
| 5.8 Load Connections to a List 27 Distribution Cabinet..... | 23 |
| 5.9 Load Connections to a List 7 Distribution Cabinet..... | 30 |
| 5.10 Battery Connections to a List 27 Distribution Cabinet..... | 32 |
| 5.11 Battery Connections to a List 7 Distribution Cabinet..... | 33 |
| 6 Installing Rectifier and Converter Modules | 34 |
| 6.1 General | 34 |
| 6.2 System with List 7 Distribution Cabinet..... | 34 |
| 6.3 System with List 27 Distribution Cabinet..... | 34 |
| 6.4 Installing Rectifier and Converter Modules..... | 34 |
| 7 Initially Starting, Configuring, and Checking System Operation | 37 |
| 7.1 Important Safety Instructions..... | 37 |
| 7.2 Initial Startup Preparation..... | 37 |
| 7.3 Initially Starting the System | 37 |
| 7.4 NCU Controller Procedure..... | 37 |
| 7.5 ACU+ Controller Procedure..... | 43 |

Admonishments Used in this Document



DANGER! Warns of a hazard the reader **will** be exposed to that will **likely** result in death or serious injury if not avoided. (ANSI, OSHA)



WARNING! Warns of a potential hazard the reader **may** be exposed to that **could** result in death or serious injury if not avoided. This admonition is not used for situations that pose a risk only to equipment, software, data, or service. (ANSI)



CAUTION! Warns of a potential hazard the reader **may** be exposed to that **could** result in minor or moderate injury if not avoided. (ANSI, OSHA) This admonition is not used for situations that pose a risk only to equipment, data, or service, even if such use appears to be permitted in some of the applicable standards. (OSHA)



ALERT! Alerts the reader to an action that **must be avoided** in order to protect equipment, software, data, or service. (ISO)



ALERT! Alerts the reader to an action that **must be performed** in order to prevent equipment damage, software corruption, data loss, or service interruption. (ISO)



FIRE SAFETY! Informs the reader of fire safety information, reminders, precautions, or policies, or of the locations of fire-fighting and fire-safety equipment. (ISO)



SAFETY! Informs the reader of general safety information, reminders, precautions, or policies not related to a particular source of hazard or to fire safety. (ISO, ANSI, OSHA)

Important Safety Instructions

Safety Admonishments Definitions

Definitions of the safety admonishments used in this document are listed under “Admonishments Used in this Document” on page iv.

Safety and Regulatory Statements

Refer to Section 4154 (provided with your customer documentation) for Safety and Regulatory Statements.

Déclarations de Sécurité et de Réglementation

Reportez-vous à la Section 4154 (fourni avec les documents de votre client) pour les déclarations de sécurité et de réglementation.

This page intentionally left blank.

1 Customer Documentation Package

This document (QS582137000) provides *Quick Start Instructions* for Vertiv™ NetSure™ -48 VDC Power System Model 512NGBB, Spec. No. 582137000.

The complete Customer Documentation Package consists of...

Power System Installation Manual

- Power System Installation Instructions: IM582137000
- Power System Quick Start Guide: QS582137000

Vertiv™ NetSure™ NCU Controller User Manual

- NCU Controller User Instructions: UM1M830BNA

Vertiv™ NetSure™ ACU+ Controller User Manual

- ACU+ Controller User Instructions: UM1M820BNA

USB Drive with All Customer Documentation

- Power System Quick Start Guide: QS582137000
- Power System Installation Instructions: IM582137000
- Power System User Instructions: UM582137000
- NCU Controller User Instructions: UM1M830BNA
- ACU+ Controller User Instructions: UM1M820BNA
- Rectifier Instructions: UM1R482000E3
- Converter Instructions: UM1C48241500
- Power System “System Application Guide”: SAG582137000
- Module Mounting Shelf Power Data Sheet: PD588705300
- Engineering Drawings
- Also provided on the USB drive is a controller configuration drawing and the controller configuration files loaded into the controller as shipped.

2 Physical Installation

| To do this... | See this in the <i>Installation Instructions</i> (IM582137000) |
|--|--|
| Choose a mounting location | <i>General Requirements</i> in the INSTALLING THE SYSTEM section. |
| Mount the Power System | <i>Mounting the System in an Equipment Rack</i> in the INSTALLING THE SYSTEM section. |
| Install optional lug adapter busbar kits | <i>Installing Optional Lug Adapter Busbar Kits</i> in the INSTALLING THE SYSTEM section. |

3 Installing Circuit Breakers and Fuses

Load and battery distribution devices were factory-installed if ordered with the power system. If additional installation is required, refer to **Figure 1** through **Figure 4**. For detailed procedures, refer to *Installing Circuit Breakers and Fuses* in the INSTALLING THE SYSTEM section of the Installation Instructions (IM582137000).

Figure 3.1 Installing a Bullet Nose Type Fuseholder and TPS/TLS Fuse

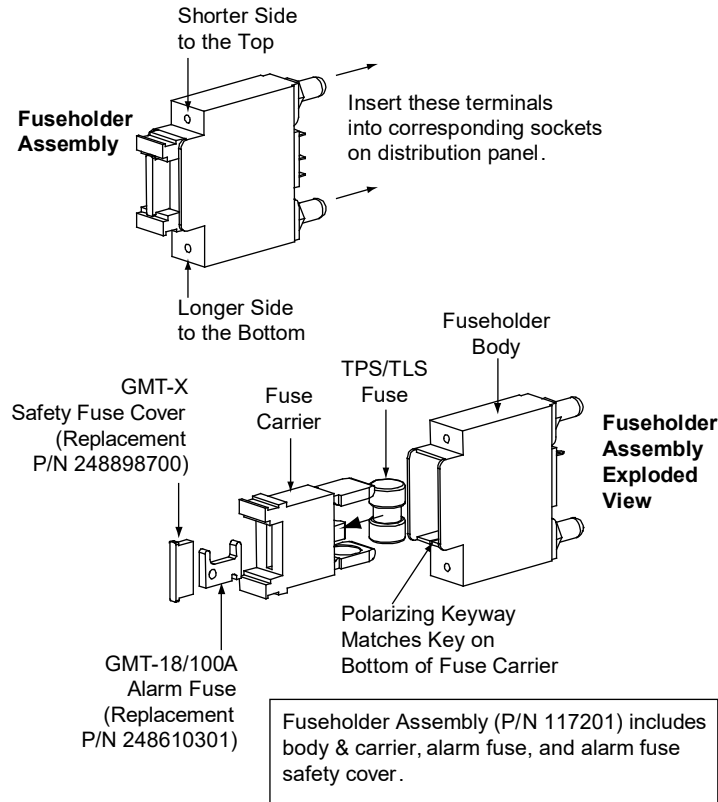


Figure 3.2 Installing a Bullet Nose Type Circuit Breaker

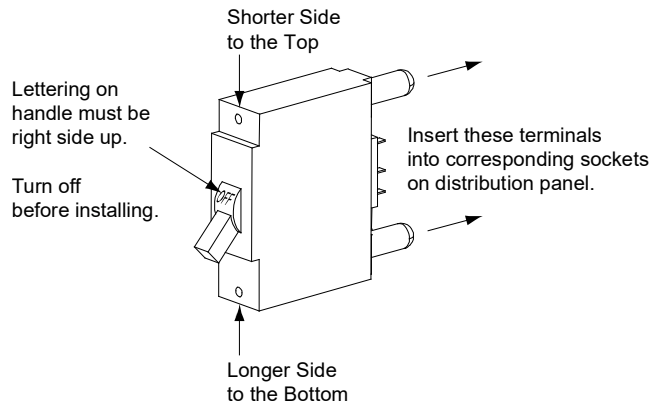


Figure 3.3 Installing an Optional Bullet Nose Type 6-Position GMT Distribution Fuse Block (P/N 545333) in a List 7 Distribution Cabinet

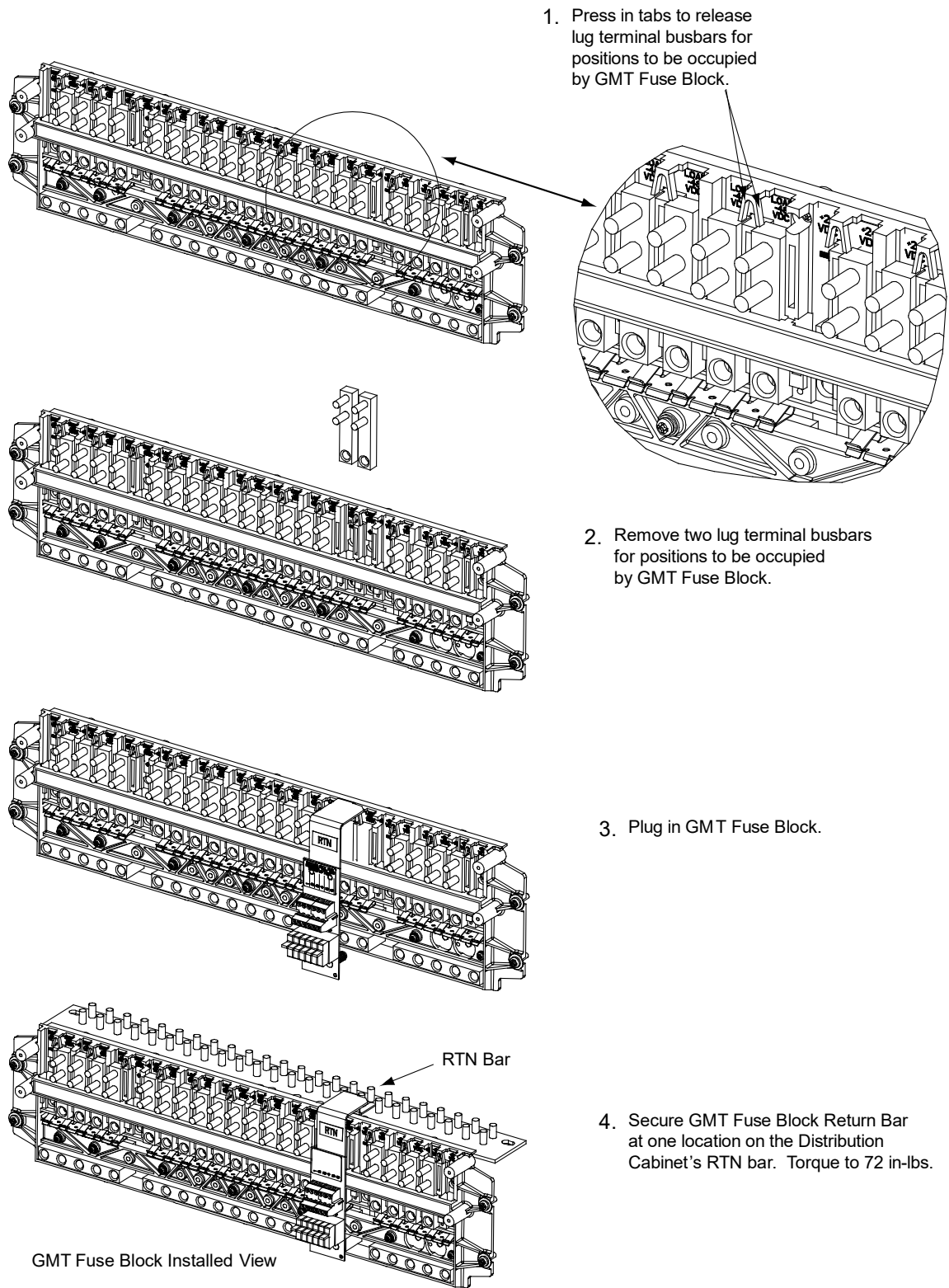
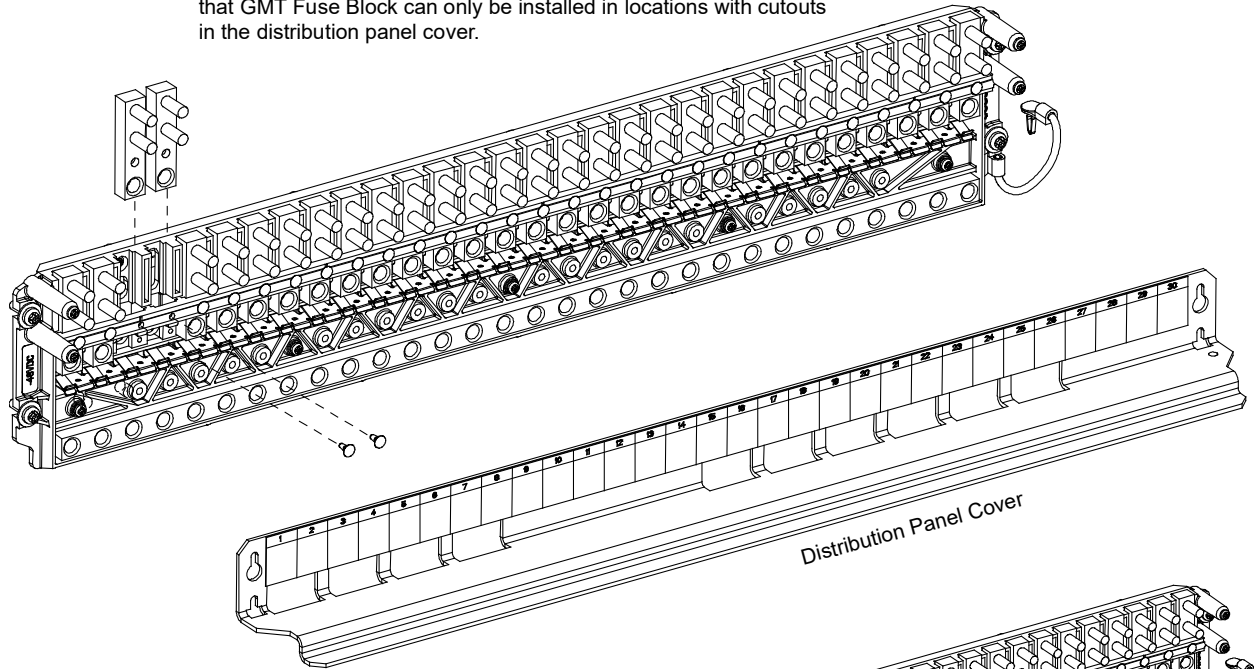
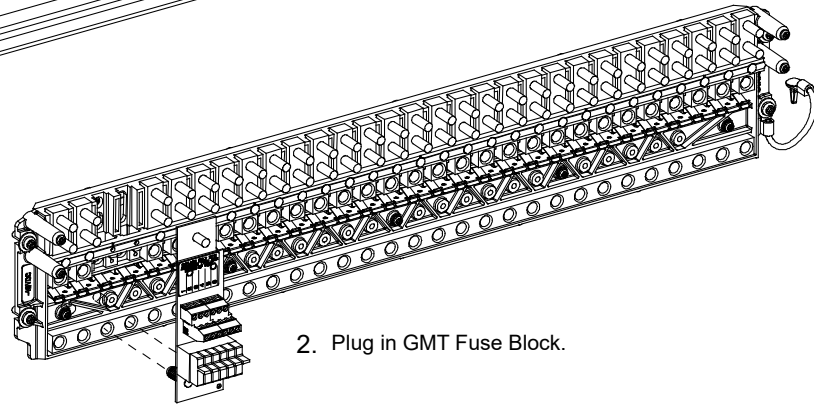


Figure 3.4 Installing an Optional Bullet Nose Type 6-Position GMT Distribution Fuse Block (P/N 549017) in a List 27 Distribution Cabinet

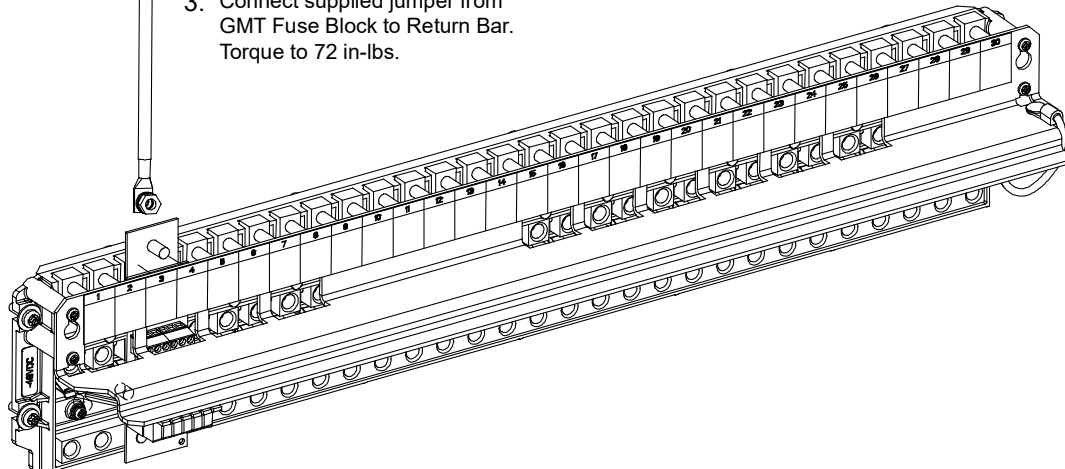
1. Remove two lug terminal busbars for positions to be occupied by GMT Fuse Block. Remove plastic busbar plugs first. Note that GMT Fuse Block can only be installed in locations with cutouts in the distribution panel cover.



2. Plug in GMT Fuse Block.



3. Connect supplied jumper from GMT Fuse Block to Return Bar. Torque to 72 in-lbs.



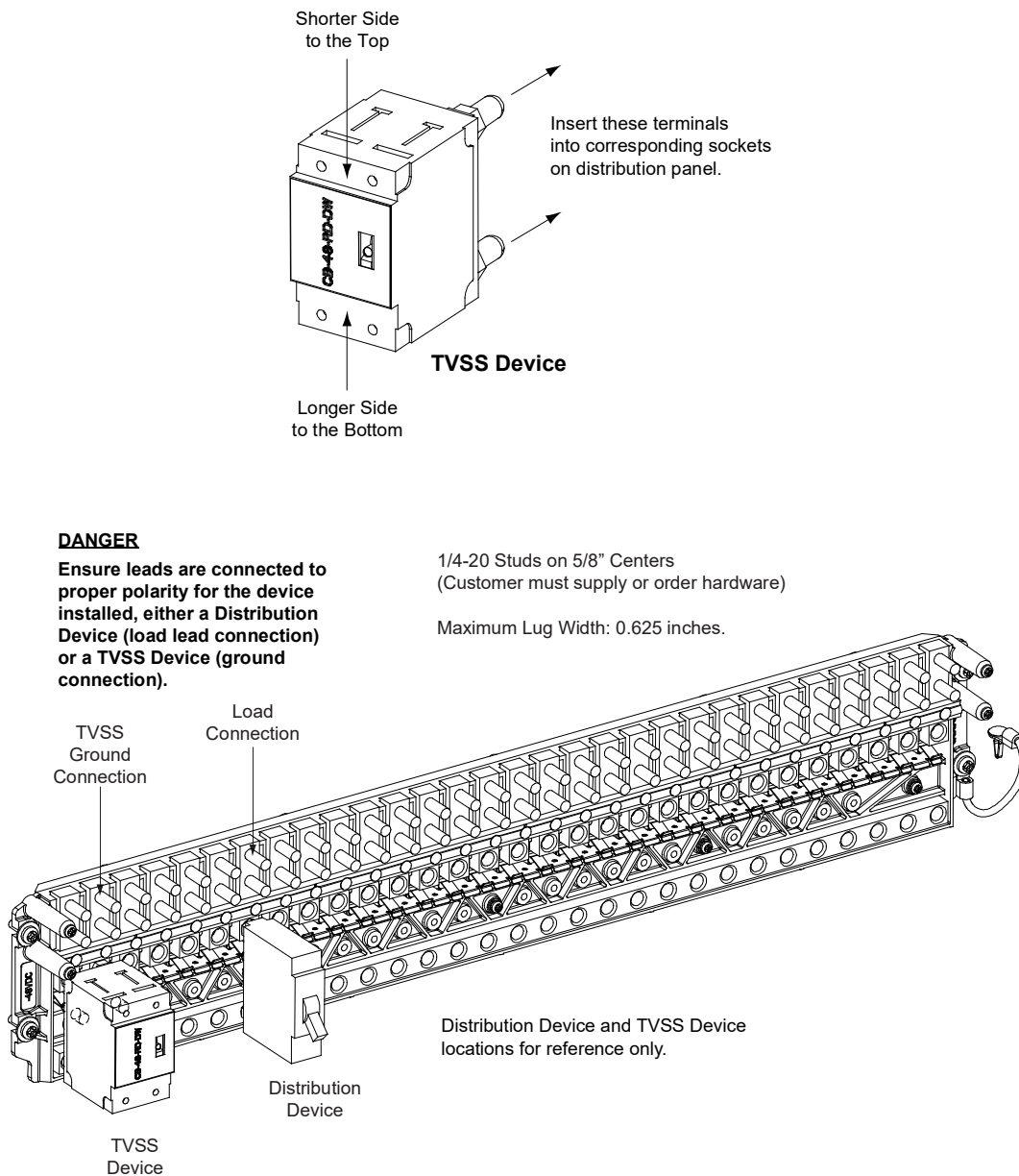
4 Install and Wire Transient Voltage Surge Suppressor (TVSS) Devices

Transient Voltage Surge Suppressor (TVSS) devices were factory-installed if ordered with the power system. If additional installation is required, refer to **Figure 5**. For detailed procedures, refer to *Installation and Wiring of a Transient Voltage Surge Suppressor (TVSS) Device* in the INSTALLING THE SYSTEM section of the Installation Instructions (IM582137000).



NOTE! The Transient Voltage Surge Suppressor (TVSS) device is to be installed on the -48V distribution bus only.

Figure 4.1 Installation and Wiring of Transient Voltage Surge Suppressor (TVSS) Devices



5 Electrical Connections

5.1 Important Safety Instructions



DANGER! Adhere to the “Important Safety Instructions” presented at the front of this document.

5.2 Relay Rack / Cabinet Frame Grounding Connection

For relay rack / cabinet grounding requirements, refer to the current edition of the American National Standards Institute (ANSI) approved National Fire Protection Association's (NFPA) National Electrical Code (NEC), applicable local codes, and your specific site requirements.

5.3 Central Office Ground Connection

Landing points are provided on the battery return bus for a central office ground lead (see **Figure 25** or **Figure 26**). For central office grounding requirements, refer to the current edition of the American National Standards Institute (ANSI) approved National Fire Protection Association's (NFPA) National Electrical Code (NEC), applicable local codes, and your specific site requirements.

5.4 Ground Connection to a Transient Voltage Surge Suppressor (TVSS) Devices

Refer to the procedure in “Install and Wire Transient Voltage Surge Suppressor (TVSS) Devices” on page 5.

5.5 AC Input and AC Input Equipment Grounding Connections to 588705300 Module Mounting Shelf(s)

Refer to *AC Input and AC Input Equipment Grounding Connections to 588705300 Module Mounting Shelf(s)* in MAKING ELECTRICAL CONNECTIONS section of the Installation Instructions (IM582137000) for a complete procedure.

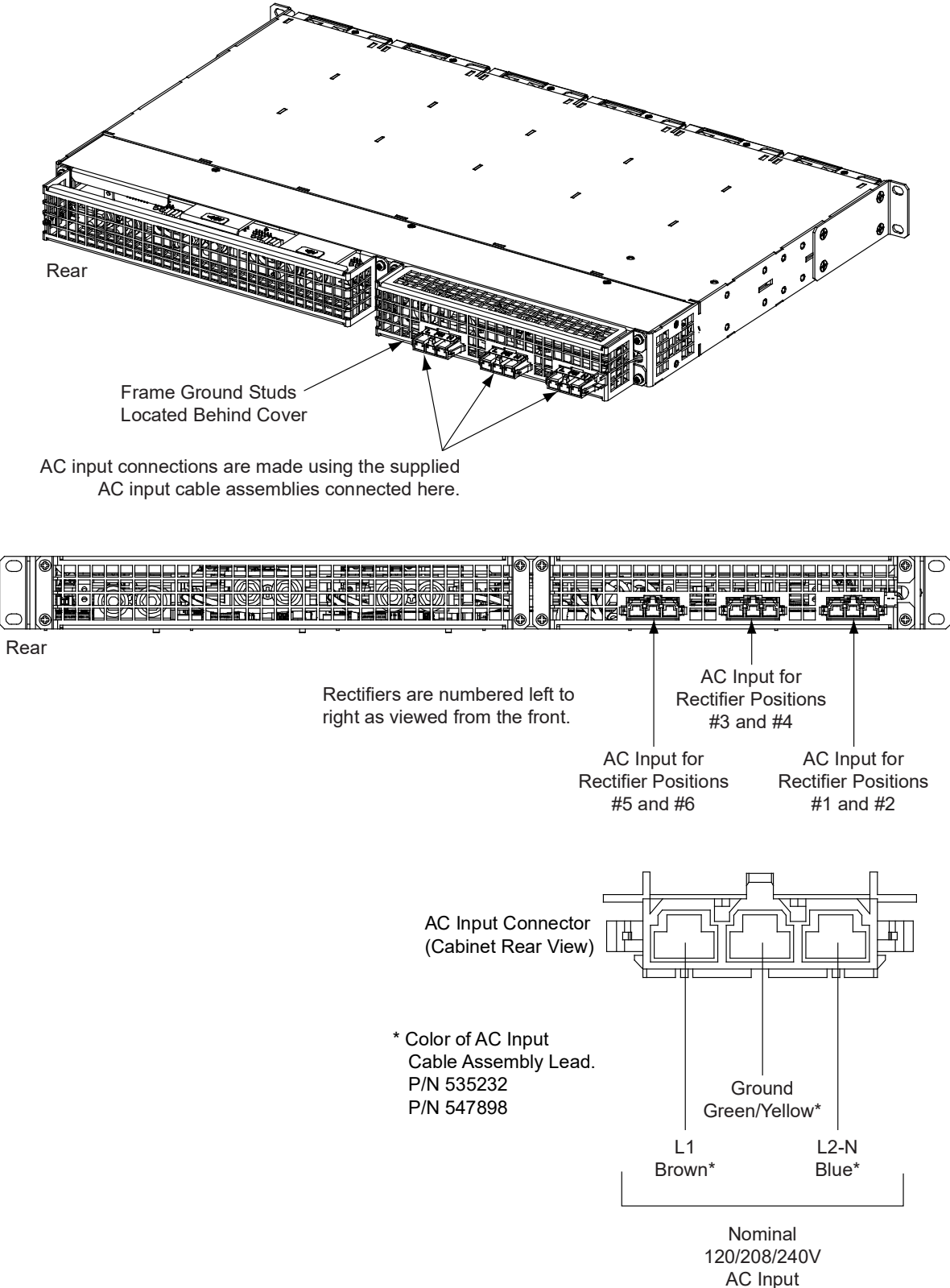


DANGER! Adhere to the “Important Safety Instructions” presented at the front of this document.

There are several options to provide AC inputs to the 588705300 module mounting shelf. See PD588705300.

1. For factory installed module mounting shelves without plug-in AC input connectors, AC input leads are factory connected from the module mounting shelf AC input terminals to an AC input termination assembly provided in the system/cabinet. Refer to the system/cabinet documentation for connection details to the AC input termination assembly. Refer to the system/cabinet documentation for recommended AC input branch circuit protection.
2. For a field installed module mounting shelf in a system with a List 27 distribution cabinet or if a List 7 distribution cabinet system is used in a relay rack and not a system cabinet, the module mounting shelf is equipped with plug-in AC input connectors located on the rear of the shelf. AC input cable assemblies with mating connectors are available (see Power Data Sheet PD588705300). Refer to Power Data Sheet PD588705300 for recommended AC input branch circuit protection. See PD588705300 and **Figure 6**.

Figure 5.1 AC Input Connections to Module Mounting Shelf with Plug-In AC Input Connectors



5.6 External Alarm, Reference, Monitoring, and Control Connections

Refer to *External Alarm, Reference, Monitoring, and Control Connections* in MAKING ELECTRICAL CONNECTIONS section of the Installation Instructions (IM582137000) for complete procedures.

5.6.1 Circuit Card and Connector Locations

Refer to **Figure 7** or **Figure 8**.

Figure 5.2 Circuit Card and Connector Locations - List 27 Distribution Cabinet

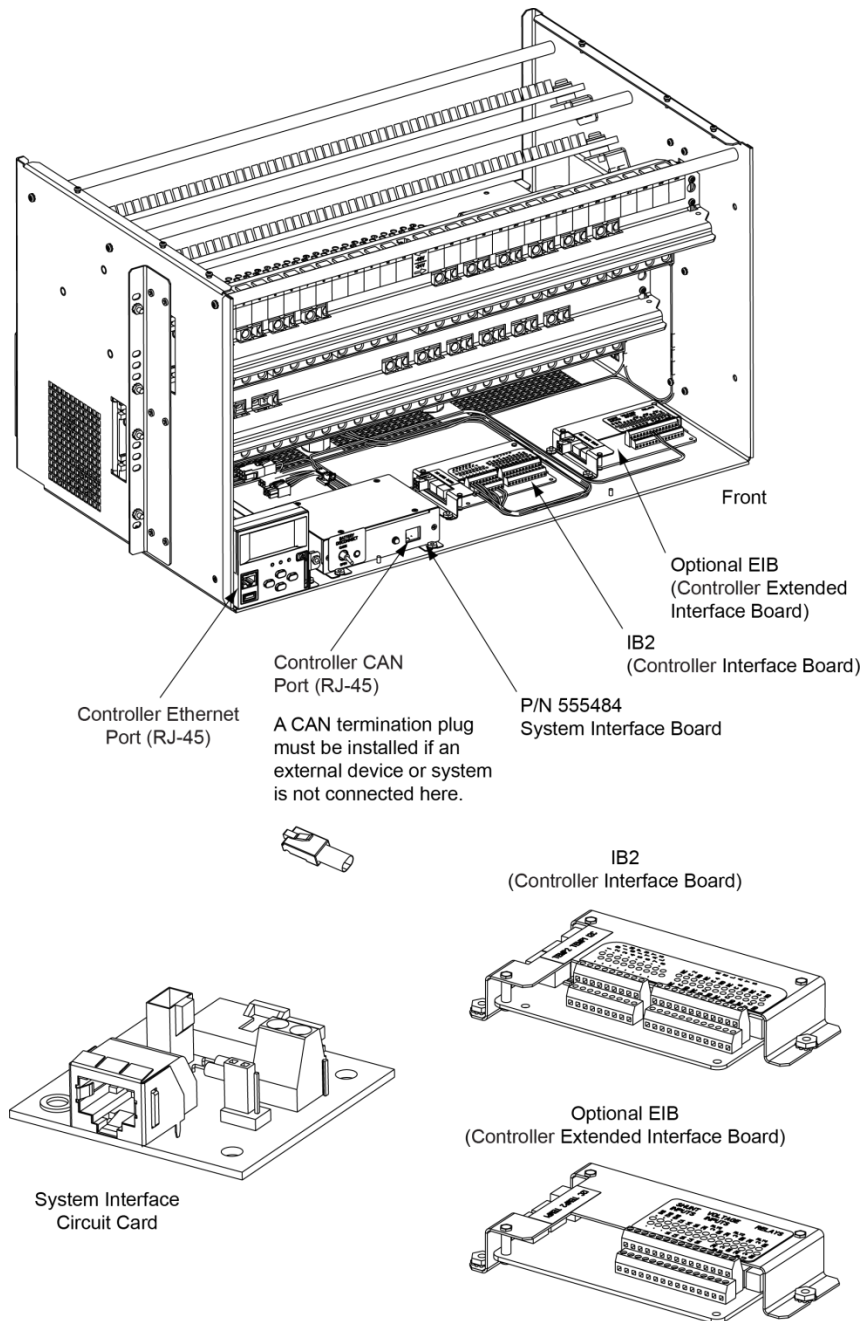
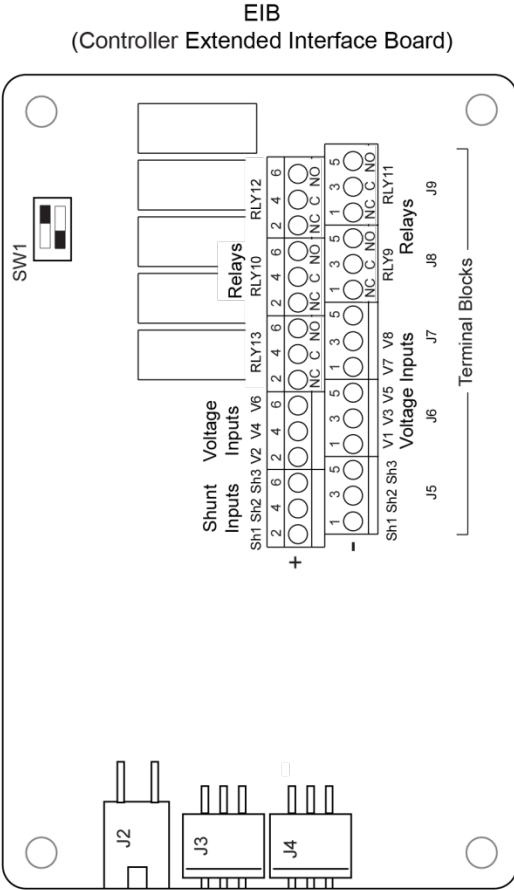
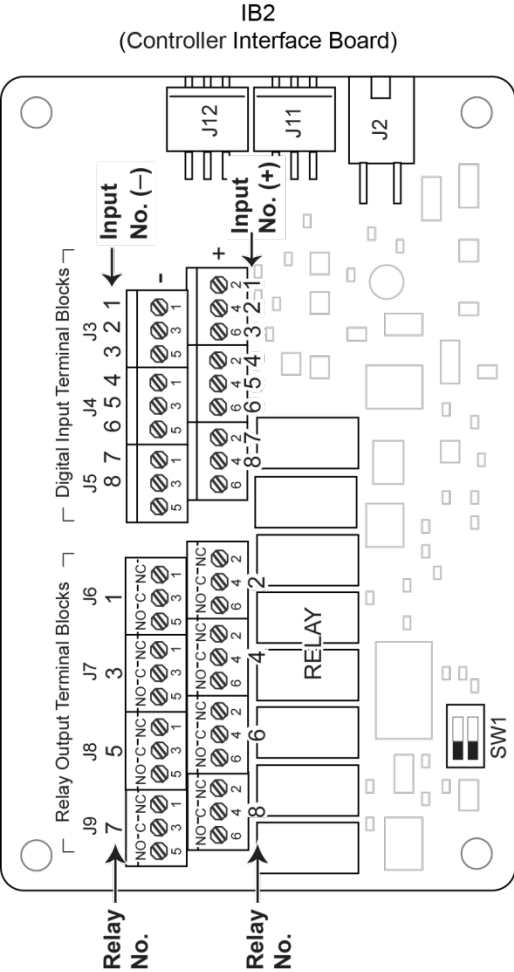
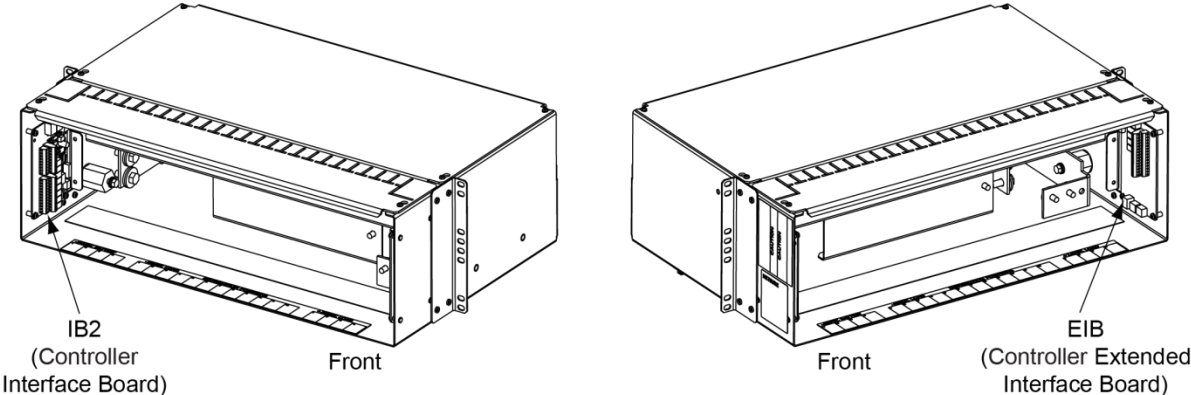


Figure 5.3 Circuit Card and Connector Locations - List 7 Distribution Cabinet

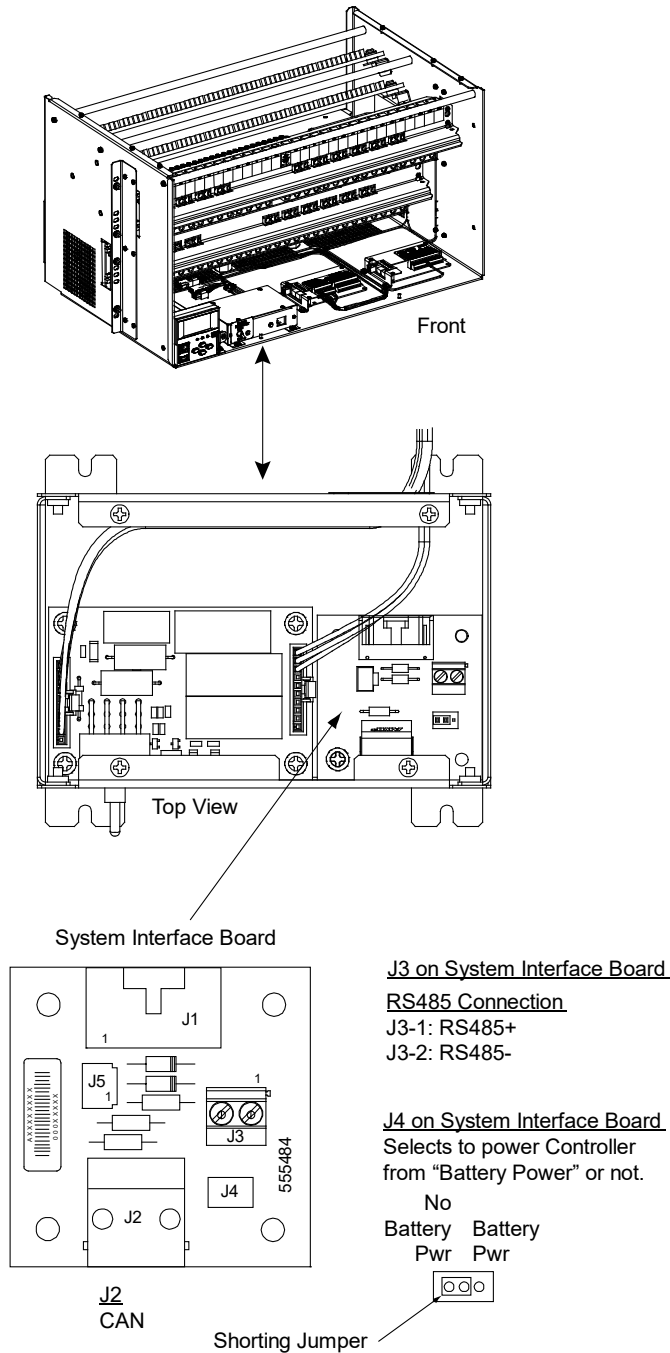


5.6.2 System Interface Circuit Card Connections (if required) (List 27 Distribution Cabinet Only)

The System Interface Circuit Card provides connections for the following. Refer to **Figure 7** for circuit card location. Refer to **Figure 9** for connections location.

- RS-485 (used for communication with SM modules)

Figure 5.4 System Interface Circuit Card Connections



5.6.3 IB2 (Controller Interface Board) Connections (if required)

The IB2 (Controller Interface Board) provides connection points for digital inputs, programmable relay outputs, and temperature probes. The IB2 interface board is mounted inside the distribution cabinet. Refer to **Figure 7** or **Figure 8**.

Digital Inputs and Programmable Relay Outputs

Digital input and relay output leads are connected to screw-type terminal blocks located on the IB2. Recommended torque for these connections is 2.2 in-lbs. Refer to **Figure 10** for terminal locations. Refer to **Table 1** and **Table 2** for pin-out information.

Digital Inputs

Connect up to eight (8) digital inputs to the IB2. Note that you must supply both paths for the digital input (either a positive or negative signal and the opposite polarity return path). Observe proper polarity. Refer to **Figure 10** for terminal locations and **Table 1** for pin-out information.

The digital inputs can be programmed to provide an alarm when the signal is applied (HIGH) or removed (LOW). Refer to the Controller Instructions (UM1M820BNA or UM1M830BNA) for programming information.

Digital Input Ratings: Refer to the following.

- a) Maximum Voltage Rating: 60 VDC.
- b) Active High: > 19 VDC.
- c) Active Low: < 1 VDC.

The digital inputs may be preprogrammed for specific functions. Refer to the configuration drawing (C-drawing) supplied with your system for your system's specific configuration.

ESTOP Function

If an ESTOP switch is wired to the IB2-1 Controller Interface Board, customer-furnished system ground applied to terminal DI8+ activates the ESTOP function. The ESTOP function shuts down and locks out the rectifiers, shuts down and locks out the optional -48 VDC to +24 VDC converters, and opens the optional low voltage disconnect (LVD) contactors (battery and load type). If the system has battery connected and does not contain a battery LVD or the controller power option is set to Battery Pwr (Jumper J4 on the system interface board is set to Battery Pwr), the controller will remain operational. If the system does not contain battery or load LVD(s) and has battery connected, the loads will be sustained by the battery voltage.

For Systems NOT Containing a Battery LVD: When the ESTOP signal is removed, LVD contactors (battery and load type) will close after the "LVD Reconnect Delay" has elapsed (customer configurable via the controller) if battery voltage is present on the bus. Rectifiers and -48 VDC to +24 VDC converters will remain off. The rectifiers will restart when the input power is removed and restored after 30 seconds or more (until the LEDs on the modules extinguish). To restart the -48 VDC to +24 VDC converters: remove the converter, wait 30 seconds or more (until the LEDs on the converter extinguish), then re-insert the converter.

For Systems Containing a Battery LVD: When the ESTOP signal is removed, LVD contactors (battery and load type) will remain open. Rectifiers and -48 VDC to +24 VDC converters will remain off. The rectifiers will restart when the input power is removed and restored after 30 seconds or more (until the LEDs on the modules extinguish). When the rectifiers restart, LVD contactors (battery and load type) will close after the "LVD Reconnect Delay" has elapsed (customer configurable via the controller) and the -48 VDC to +24 VDC converters will restart.



NOTE! *If a customer-furnished method to disconnect the input power to the system is not provided, the rectifiers will stay locked OFF until the input power is recycled. If the ESTOP signal is removed without recycling the input power, the rectifiers will remain off and have a local alarm visible on the module. The ESTOP alarm from the controller will extinguish. The controller will not issue an alarm for this condition.*

Programmable Relay Outputs

The IB2 provides eight (8) programmable alarm relays with dry Form-C contacts. Connect up to eight (8) relay outputs to the IB2. Refer to **Figure 10** for terminal locations and **Table 2** for pin-out information.

Refer to the Controller Instructions (UM1M820BNA or UM1M830BNA) for programming information.

Relay Ratings: Refer to the following.

- a) Steady State: 0.5 A @ 60 VDC; 1.0 A @ 30 VDC.
- b) Peak: 3 A @ 30 VDC.

The relays may be preprogrammed for specific functions. Refer to the configuration drawing (C-drawing) supplied with your system for your system's specific configuration.

Temperature Probes



NOTE! Each temperature probe consists of two or three pieces that plug together to make a complete probe. See SAG582137000 for part numbers and descriptions.

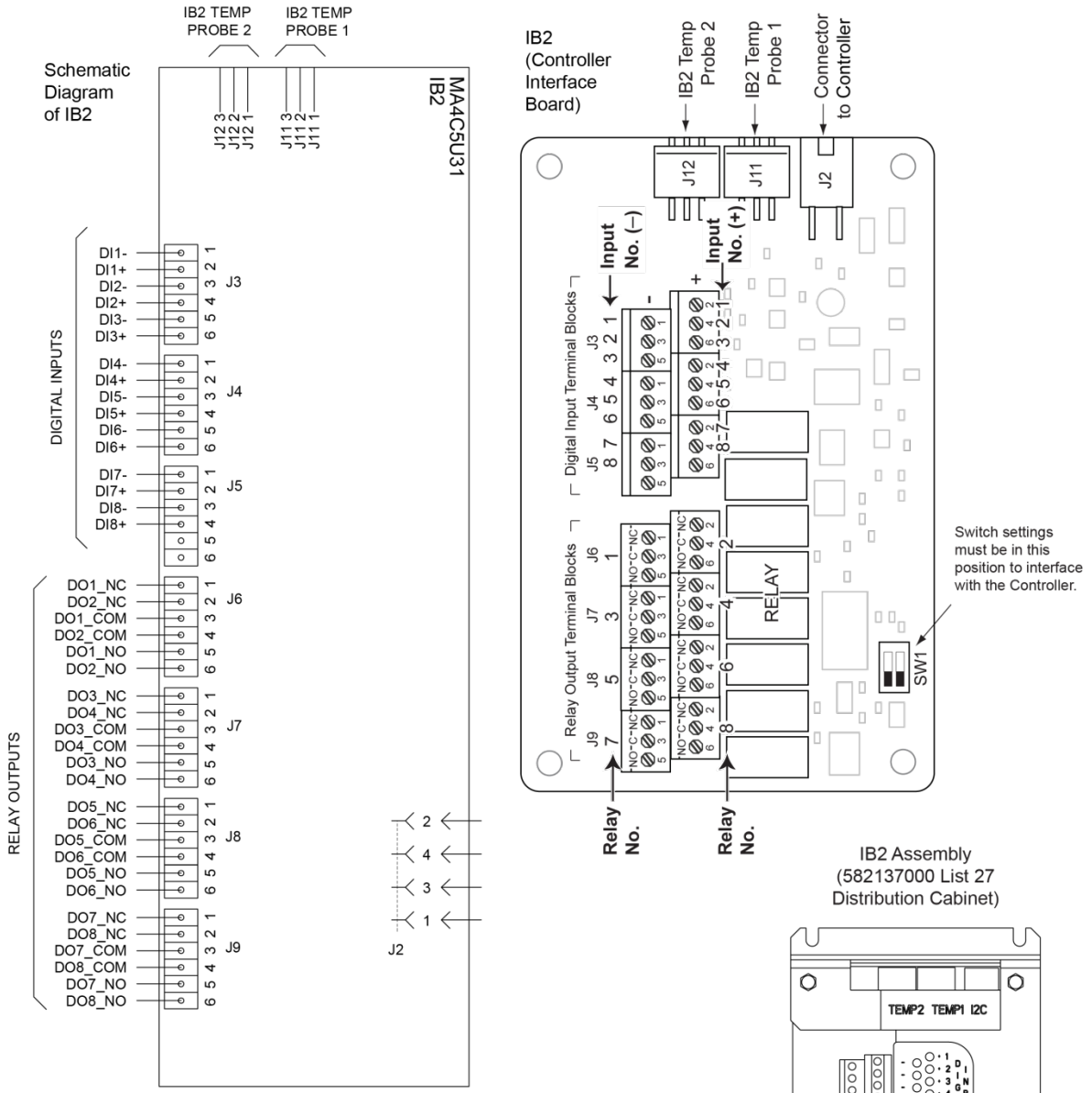
Temperature probes are connected to the IB2 (Controller Interface Board) and/or EIB (Controller Extended Interface Board) mounted inside the distribution cabinet.

Up to two (2) temperature probes can be connected to the IB2. Up to two (2) additional temperature probes can be connected to the EIB. Any combination of the four (4) temperature probes can be programmed to monitor ambient temperature and/or battery temperature. A temperature probe set to monitor battery temperature can also be used for the rectifier battery charge temperature compensation feature, or the battery charge temperature compensation feature can be programmed to use the average or highest value of all battery temperature probes. The battery charge temperature compensation feature allows the controller to automatically increase or decrease the output voltage of the system to maintain battery float current as battery temperature decreases or increases, respectively. Battery life can be extended when an optimum charge voltage to the battery with respect to temperature is maintained. A temperature probe set to monitor battery temperature can also be used for the BTRM (Battery Thermal Runaway Management) feature. The BTRM feature lowers output voltage when a high temperature condition exists to control against battery thermal runaway.

The temperature sensor end of the probe contains a tab with a 5/16" clearance hole for mounting.

A temperature probe programmed to monitor battery temperature should be mounted on the negative post of a battery cell to sense battery temperature. A temperature probe used for battery charge temperature compensation and/or BTRM (Battery Thermal Runaway Management) should also be mounted on the negative post of a battery cell. A temperature probe programmed to monitor ambient temperature should be mounted in a convenient location, away from direct sources of heat or cold.

Figure 5.5 IB2 (Interface Board) Connections



* The controller's relay assigned to "Critical Summary" alarm (relay 1 by default) will operate in the "Fail Safe Mode". "Fail Safe Mode" means Relay 1 is de-energized during an alarm condition, opening the contacts between the C and NO terminals, and closing the contacts between the C and NC terminals.

The controller's remaining seven (7) relays energize during an alarm condition, closing the contacts between the C and NO terminals, and opening the contacts between the C and NC terminals.

Not all I/O points are available for customer connection (some are used for factory system connections).

J3-J9:

Wire Size Capacity: 16-26 AWG.

Recommended Torque: 2.2 in-lbs.

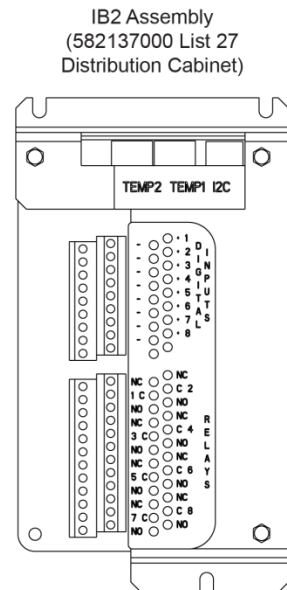


Table 5.1 Programmable Digital Inputs – IB2

| Programmable Digital Input | IB2 Pin No. | | Factory Wiring | Default Digital Input Function | Customer Defined Digital Input Function | |
|----------------------------|-------------|---|--|--|---|--|
| 1 | J3-2 | + | The digital inputs may be preprogrammed for specific functions and have factory wiring connected. Refer to the configuration drawing (C-drawing) supplied with your system for your system's specific configuration. | The digital inputs may be preprogrammed for specific functions. Refer to the configuration drawing (C-drawing) supplied with your system for your system's specific configuration. | | |
| | J3-1 | - | | | | |
| 2 | J3-4 | + | | | | |
| | J3-3 | - | | | | |
| 3 | J3-6 | + | | | | |
| | J3-5 | - | | | | |
| 4 | J4-2 | + | | | | |
| | J4-1 | - | | | | |
| 5 | J4-4 | + | | | | |
| | J4-3 | - | | | | |
| 6 | J4-6 | + | | | | |
| | J4-5 | - | | | | |
| 7 | J5-2 | + | | | | |
| | J5-1 | - | | | | |
| 8 | J5-4 | + | (to customer ESTOP switch) | ESTOP | | |
| | J5-3 | - | -48 VDC | | | |
| -- | J5-5 | | not used | not used | not used | |
| -- | J5-6 | | | | | |



NOTE! -48V is factory wired to the Digital Input #8 (-) terminal for your convenience and function predefined for ESTOP. Customer-furnished system ground applied to terminal Digital Input #8 (+) activates the ESTOP function. See “ESTOP Function” on page 11.

Table 5.2 Programmable Relay Outputs – IB2

| Programmable Relay Output | | IB2 Pin No. | Alarms Assigned to this Relay (Default) | Alarms Assigned to this Relay (Custom) | | | | | | | |
|---------------------------|-----|-------------|--|--|--|--|--|--|--|--|--|
| 1 | NO | J6-5 | The relays may be preprogrammed for specific functions. Refer to the configuration drawing (C-drawing) supplied with your system for your system's specific configuration. | | | | | | | | |
| | COM | J6-3 | | | | | | | | | |
| | NC | J6-1 | | | | | | | | | |
| 2 | NO | J6-6 | | The relays may be preprogrammed for specific functions. Refer to the configuration drawing (C-drawing) supplied with your system for your system's specific configuration. | | | | | | | |
| | COM | J6-4 | | | | | | | | | |
| | NC | J6-2 | | | | | | | | | |
| 3 | NO | J7-5 | | | The relays may be preprogrammed for specific functions. Refer to the configuration drawing (C-drawing) supplied with your system for your system's specific configuration. | | | | | | |
| | COM | J7-3 | | | | | | | | | |
| | NC | J7-1 | | | | | | | | | |
| 4 | NO | J7-6 | | | | The relays may be preprogrammed for specific functions. Refer to the configuration drawing (C-drawing) supplied with your system for your system's specific configuration. | | | | | |
| | COM | J7-4 | | | | | | | | | |
| | NC | J7-2 | | | | | | | | | |
| 5 | NO | J8-5 | | | | | The relays may be preprogrammed for specific functions. Refer to the configuration drawing (C-drawing) supplied with your system for your system's specific configuration. | | | | |
| | COM | J8-3 | | | | | | | | | |
| | NC | J8-1 | | | | | | | | | |
| 6 | NO | J8-6 | | | | | | The relays may be preprogrammed for specific functions. Refer to the configuration drawing (C-drawing) supplied with your system for your system's specific configuration. | | | |
| | COM | J8-4 | | | | | | | | | |
| | NC | J8-2 | | | | | | | | | |
| 7 | NO | J9-5 | | | | | | | The relays may be preprogrammed for specific functions. Refer to the configuration drawing (C-drawing) supplied with your system for your system's specific configuration. | | |
| | COM | J9-3 | | | | | | | | | |
| | NC | J9-1 | | | | | | | | | |
| 8 | NO | J9-6 | | | | | | | | The relays may be preprogrammed for specific functions. Refer to the configuration drawing (C-drawing) supplied with your system for your system's specific configuration. | |
| | COM | J9-4 | | | | | | | | | |
| | NC | J9-2 | | | | | | | | | |



NOTE! The controller's relay assigned to "Critical Summary" alarm (relay 1 by default) will operate in the "Fail Safe Mode". "Fail Safe Mode" means Relay 1 is de-energized during an alarm condition, opening the contacts between the C and NO terminals, and closing the contacts between the C and NC terminals.

The controller's remaining 7 relays energize during an alarm condition, closing the contacts between the C and NO terminals, and opening the contacts between the C and NC terminals.

5.6.4 EIB (Controller Extended Interface Board) Connections (if required)

The EIB (Controller Extended Interface Board) provides additional connection points for current and voltage inputs, programmable relay outputs, and temperature probes. The EIB extended interface board is mounted inside the distribution cabinet. Refer to **Figure 7** or **Figure 8**.

Current Inputs, Voltage Inputs, and Programmable Relay Outputs

Current input, voltage input, and relay output leads are connected to screw-type terminal blocks located on the EIB. Recommended torque for these connections is 2.2 in-lbs. Refer to **Figure 12** for terminal locations. Refer to **Table 3**, **Table 4**, and **Table 5** for pin-out information.

Current Inputs

Connect up to three (3) shunt inputs to the EIB. Observe proper polarity. Refer to **Figure 12** for terminal locations and **Table 3** for pin-out information.

Refer to the Controller Instructions (UM1M820BNA or UM1M830BNA) and program the shunt input parameters found in the EIB menu.



NOTE! The shunt needs to be installed in the hot (-48V) bus. Connect the plus side of the shunt to the positive shunt input on the EIB. Connect the negative side of the shunt to the negative shunt input on the EIB.

Voltage Inputs for Battery Block and Battery Midpoint Monitoring

The controller can monitor battery blocks (12V blocks) or midpoint battery voltage of battery strings connected to the EIB. The EIB provides a total of eight (8) DC voltage inputs for these connections. An alarm is issued when either battery block voltage or battery midpoint voltage is abnormal. Refer to **Figure 12** for terminal locations and **Table 4** for pin-out information.

Refer to **Figure 11** for connection details. Refer to the Controller Instructions (UM1M820BNA or UM1M830BNA) and program the following parameters.



NOTE! When using Battery Block Monitoring, you must make connections to all blocks.

- **Battery Block Monitoring**

Voltage Type: Set to “48 (Block 4)”. This selects the EIB to monitor up to two (2) 48V battery strings with four (4) 12V blocks per string.

BlockVDiff(12V): This menu item appears if “48 (Block 4)” is selected above. Set to the alarm threshold for battery block monitoring per site requirements. The controller issues an alarm when any block voltage of any battery string has an abnormal value. The alarm is issued when the difference between any block voltage and a reference voltage is greater than the value of the block voltage difference setting.

Block In-Use: Set to the number of 12V battery blocks being used.

- **Midpoint Monitoring**

Voltage Type: Set to “Midpoint”. This selects the EIB to monitor the midpoint voltage of up to eight (8) battery strings.

BlockVDiff(Mid): This menu item appears if “Midpoint” is selected above. Set to the alarm threshold for battery midpoint monitoring per site requirements. The controller issues an alarm when any battery midpoint voltage of any battery string has an abnormal value. The alarm is issued when the difference between any battery midpoint voltage and a reference voltage is greater than the value of the block voltage difference setting.

Block In-Use: Set to number of 12V battery blocks being used.

Programmable Relay Outputs

The EIB provides five (5) programmable alarm relays with dry Form-C contacts. Connect up to five (5) relay outputs to the IB2. Refer to **Figure 12** for terminal locations and **Table 4** for pin-out information.

Refer to the Controller Instructions (UM1M820BNA or UM1M830BNA) for programming information.

Relay Ratings: Refer to the following.

- a) Steady State: 0.5 A @ 60 VDC; 1.0 A @ 30 VDC.
- b) Peak: 3 A @ 30 VDC.

The relays may be preprogrammed for specific functions. Refer to the configuration drawing (C-drawing) supplied with your system for your system's specific configuration.

Temperature Probes

Temperature probes can be connected to the EIB (Controller Extended Interface Board) mounted inside the distribution cabinet. Refer to "Temperature Probes" on page 12.

Figure 5.6 Sample Battery Block or Battery Midpoint Monitoring Connections

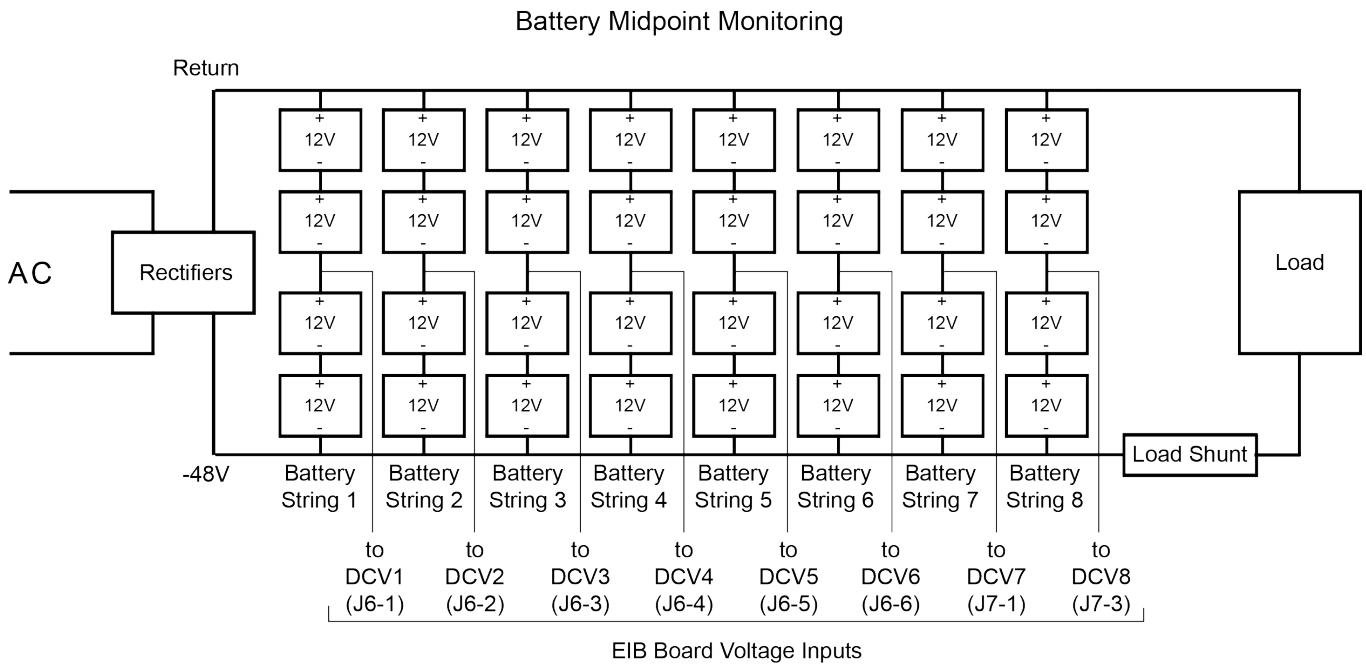
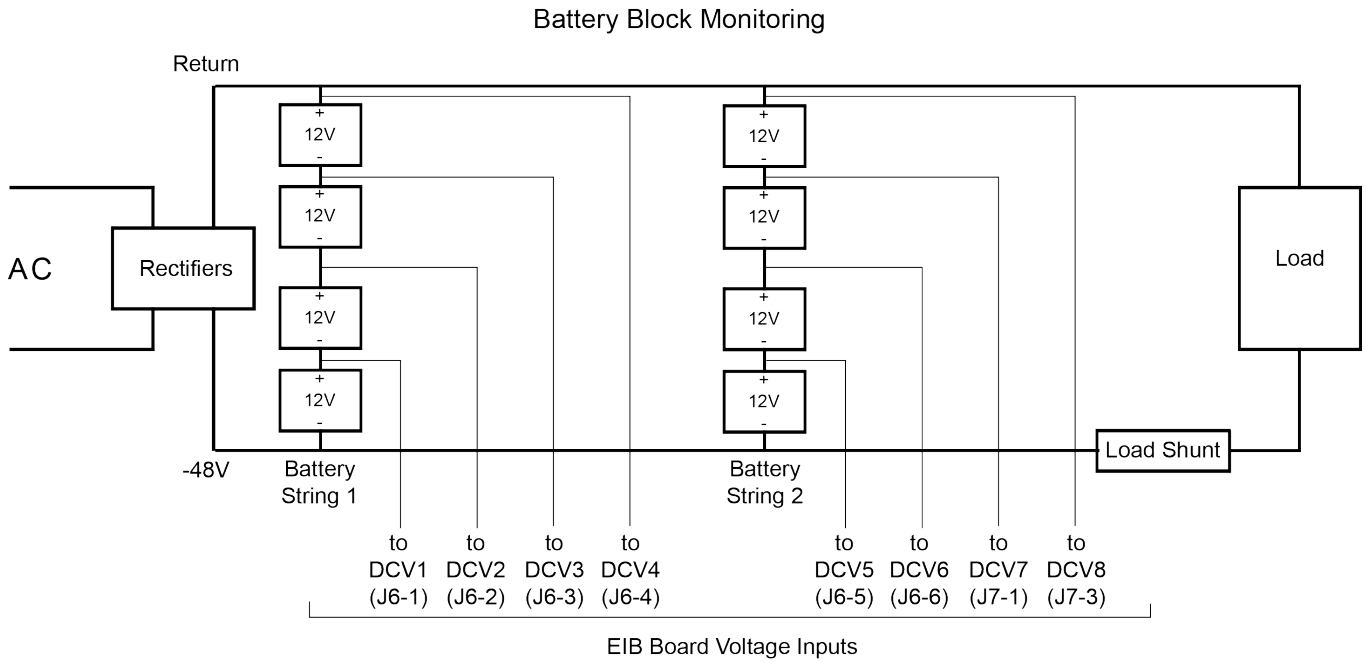


Figure 5.7 EIB (Extended Interface Board) Connections

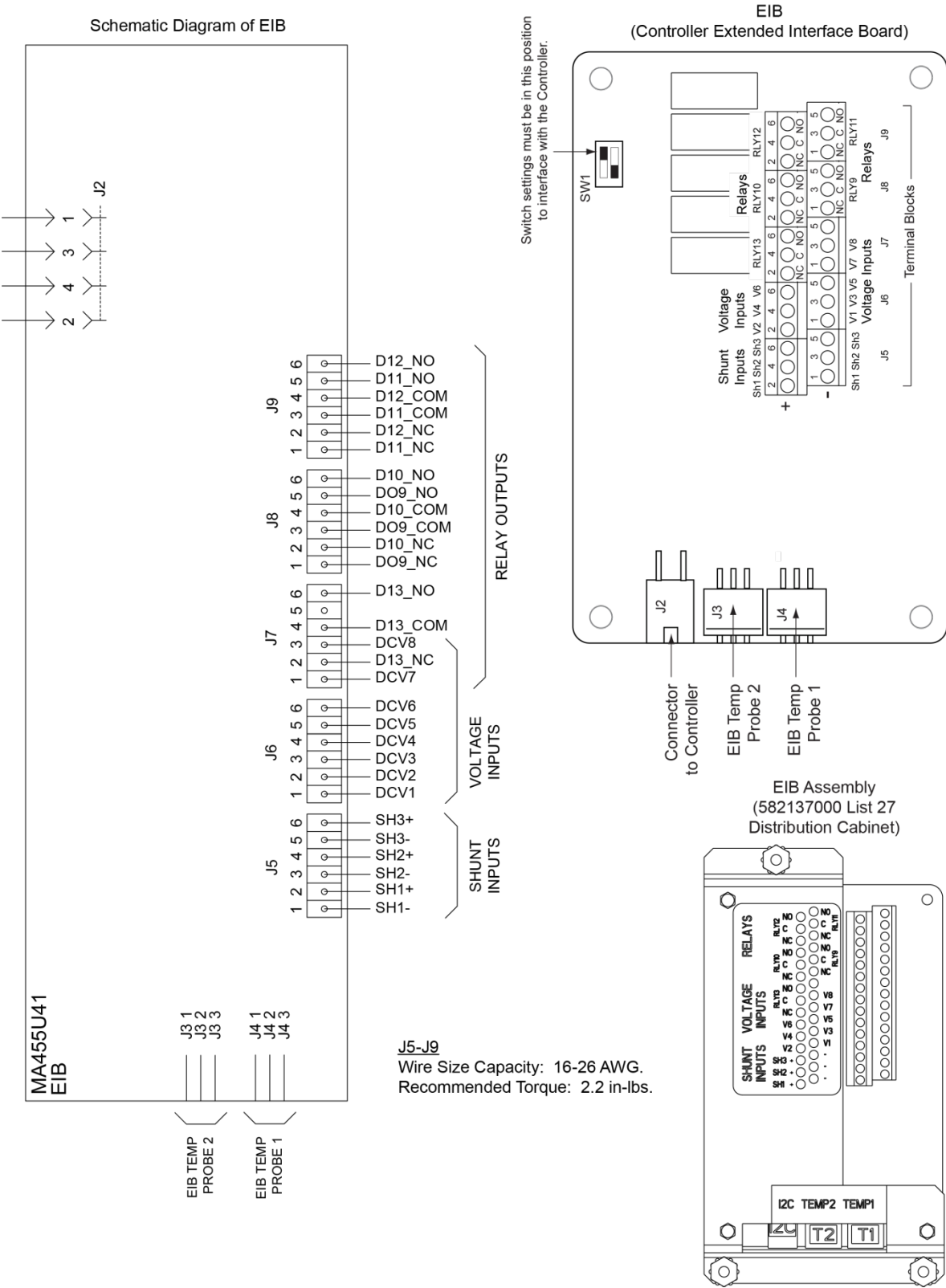


Table 5.3 Shunt Inputs – EIB

| Shunt Input | EIB Pin No. | | Factory Wiring | Default Function | Customer Defined Function |
|-------------|-------------|---|----------------|------------------|---------------------------|
| Sh1 | J5-2 | + | -- | none | |
| | J5-1 | - | -- | | |
| Sh2 | J5-4 | + | -- | none | |
| | J5-3 | - | -- | | |
| Sh3 | J5-6 | + | -- | none | |
| | J5-5 | - | -- | | |

Table 5.4 Voltage Inputs – EIB

| Voltage Input | EIB Pin No. | Default Function |
|---------------|-------------|--------------------------|
| 1 | J6-1 | Battery Block Monitoring |
| 2 | J6-2 | |
| 3 | J6-3 | |
| 4 | J6-4 | |
| 5 | J6-5 | |
| 6 | J6-6 | |
| 7 | J7-1 | |
| 8 | J7-3 | |

Table 5.5 Programmable Relay Outputs – EIB

| Programmable Relay Output | EIB Pin No. | Alarms Assigned to this Relay (Default) | Alarms Assigned to this Relay (Custom) |
|---------------------------|-------------|---|--|
| 9 | NO | J8-5 | |
| | COM | J8-3 | |
| | NC | J8-1 | |
| 10 | NO | J8-6 | |
| | COM | J8-4 | |
| | NC | J8-2 | |
| 11 | NO | J9-5 | The relays may be preprogrammed for specific functions. Refer to the configuration drawing (C-drawing) supplied with your system for your system's specific configuration. |
| | COM | J9-3 | |
| | NC | J9-1 | |
| 12 | NO | J9-6 | |
| | COM | J9-4 | |
| | NC | J9-2 | |
| 13 | NO | J7-6 | |
| | COM | J7-4 | |
| | NC | J7-2 | |



NOTE! The relays energize during an alarm condition, closing the contacts between the C and NO terminals, and opening the contacts between the C and NC terminals.

5.7 Controller Ethernet Connection (if required)

The controller provides a Web Interface via an Ethernet connection to a TCP/IP network. This interface can be accessed locally on a computer or remotely through a network. An RJ-45 10BaseT jack is provided on the front of the controller for connection into a customer's network. This jack has a standard Ethernet pin configuration scheme, twisted pair. Refer to **Figure 13** for location and **Table 6** for pin outs. Use shielded Ethernet cable (grounded at both ends). Note that the controller's RJ-45 jack is connected to chassis ground. Refer to the Controller Instructions (UM1M820BNA or UM1M830BNA) for operational details.



NOTE! You can access the Web pages of the power system locally by using a "crossover" or "straight" cable connected directly between your PC and the controller.



WARNING! The intra-building port(s) of the equipment or subassembly is suitable for connection to intra-building or unexposed wiring or cabling only. The intra-building port(s) of the equipment or subassembly **MUST NOT** be metallicly connected to the interfaces that connect to the OSP or its wiring. These interfaces are designed for use as intra-building interfaces only (Type 2 or Type 4 ports as described in GR-1089-CORE, Issue 4) and require isolation from the exposed OSP cabling. The addition of Primary Protectors is not sufficient protection in order to connect these interfaces metallicly to OSP wiring.

The intra-building port (RJ-45) of the equipment or subassembly must use shielded intra-building cabling/wiring that is grounded at both ends.

Figure 5.8 Controller Ethernet Port

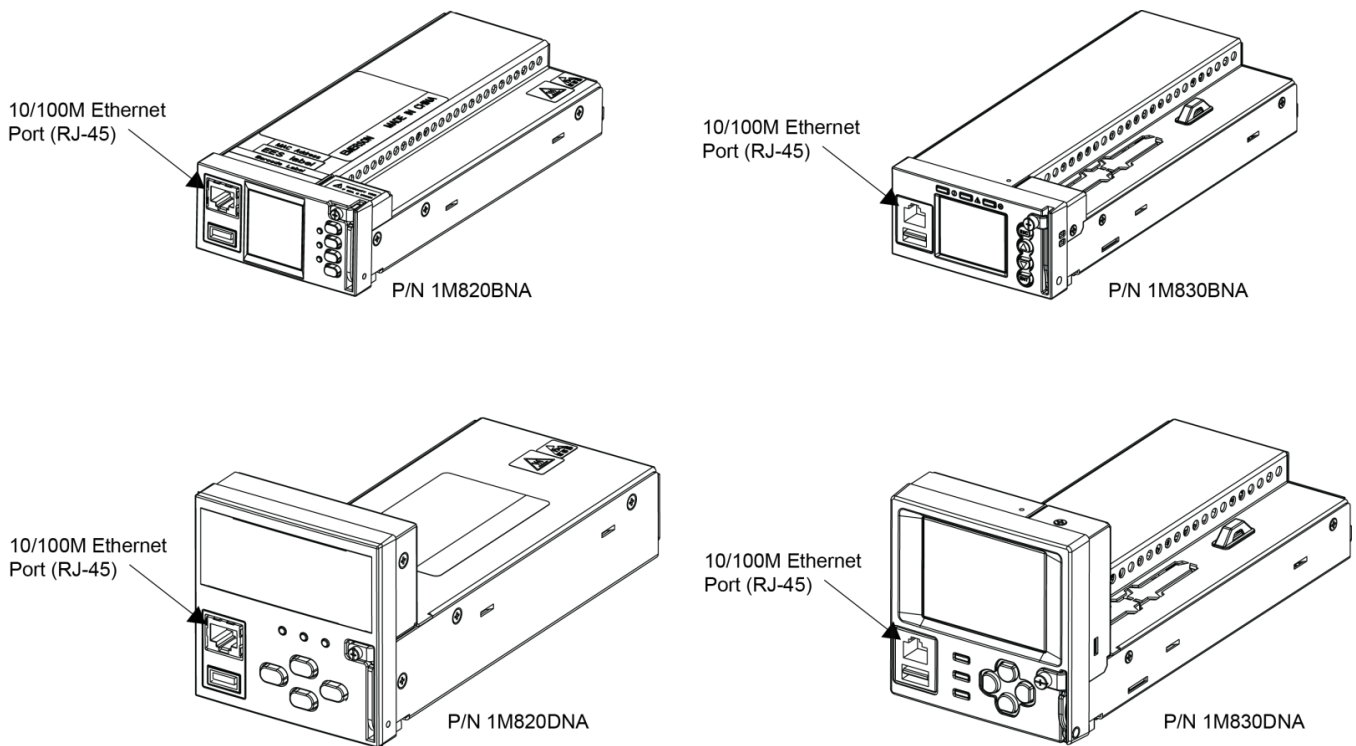


Table 5.6 Controller RJ-45 Ethernet Port Pin Configuration

| Port Pin Number | Name | Definition |
|-----------------|------|----------------|
| 1 | Tx+ | Write Signal + |
| 2 | Tx- | Write Signal - |
| 3 | Rx+ | Read Signal + |
| 4 | -- | no connection |
| 5 | -- | no connection |
| 6 | Rx- | Read Signal - |
| 7 | -- | no connection |
| 8 | -- | no connection |

5.7.1 Connecting a Device or System to the Controller's CAN Bus (List 27 Distribution Cabinet Only)

A supporting device or system may be connected to the Controller's CAN Port located inside a List 27 Distribution Cabinet. Refer to **Figure 7** for location. Refer to **Table 7** for pin-outs. Refer also to the external device's or system's instruction manual.

General Procedure

1. Remove the CAN termination plug from the CAN Port connector (see **Figure 7** for location). Connect the device or system to the Controller's CAN port. Refer to **Table 7** for pin-outs. Ensure that the last device on the controller's CAN bus has a CAN termination plug. Refer also to the external device's or system's instruction manual.

Optional SM-Temp Module

The analog output of the SM-Temp Module may be connected to a controller temperature port input. In lieu of connecting the analog output of the SM-TEMP module to a controller temperature port input, the SM-TEMP module can simply be connected at the end of the Controller's CAN bus (for system's equipped with an ACU+, requires ACU+ version 3.02 or later). Refer to the SM-Temp Module Instructions (UM547490) for details.

CAN Bus Procedure

1. Remove the CAN termination plug from the CAN Port connector (see **Figure 7** for location). Connect the SM-Temp Module CAN bus to the CAN Port connector. Refer to **Table 7** for pin-outs. Ensure the last SM-Temp Module (or if only one) has a CAN termination strap as shown in the SM-Temp Module Instructions (UM547490).

Table 5.7 CAN Port Connections

| Controller CAN Port (RJ-45) | | SM-Temp Module CAN Port Pin Number |
|-----------------------------|----------|------------------------------------|
| Pin Number | Function | |
| 1 | CAN L | TB1-5 (CAN L) |
| 2 | CAN H | TB1-3 (CAN H) |
| 3 | -- | -- |
| 4 | -- | -- |
| 5 | -- | -- |
| 6 | -- | -- |
| 7 | -- | -- |
| 8 | -- | -- |

5.8 Load Connections to a List 27 Distribution Cabinet

Load leads are connected to the individual load busbars located on the distribution panels (refer to **Figure 14**). Load return leads are connected to separate return busbars located at the top of the distribution cabinet (refer to **Figure 15**). Refer to **Figure 17** through **Figure 22** for illustrations of the available distribution panels.

Refer to **Figure 16** if an optional “Bullet Nose Type 6-Position GMT Distribution Fuse Block” is furnished.

Recommended Torque

- 72 in-lbs for 1/4-inch hardware (when using standard flat and lock washer).

Figure 5.9 Load Side Connections in a List 27 Distribution Cabinet

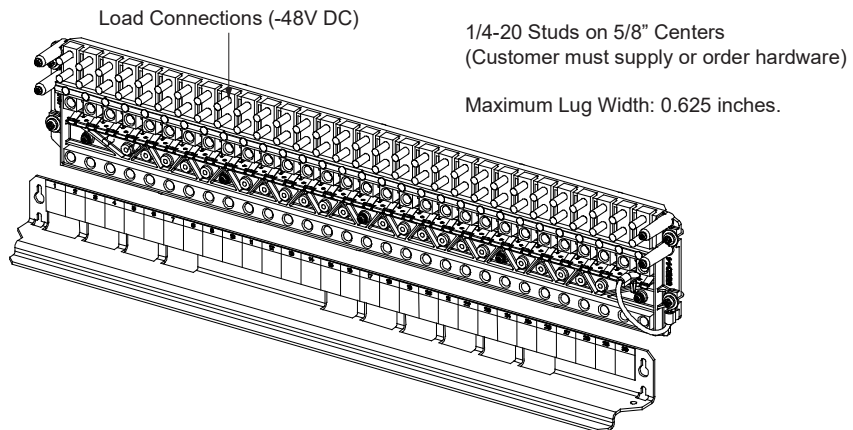
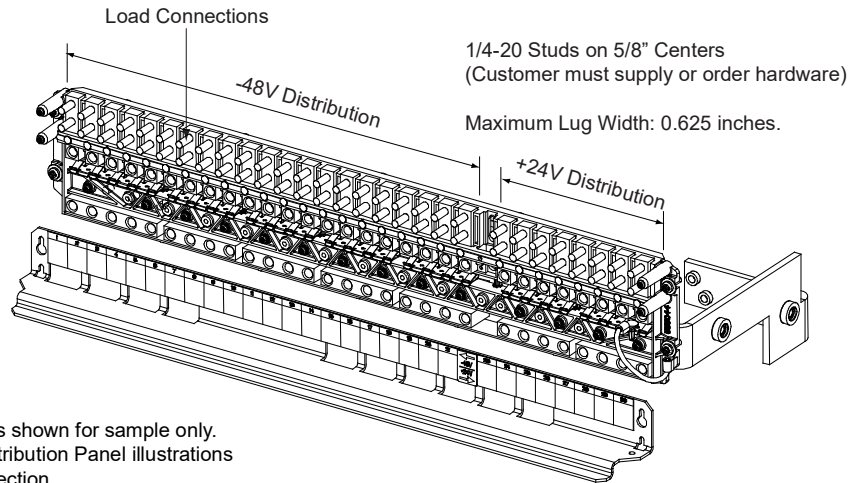
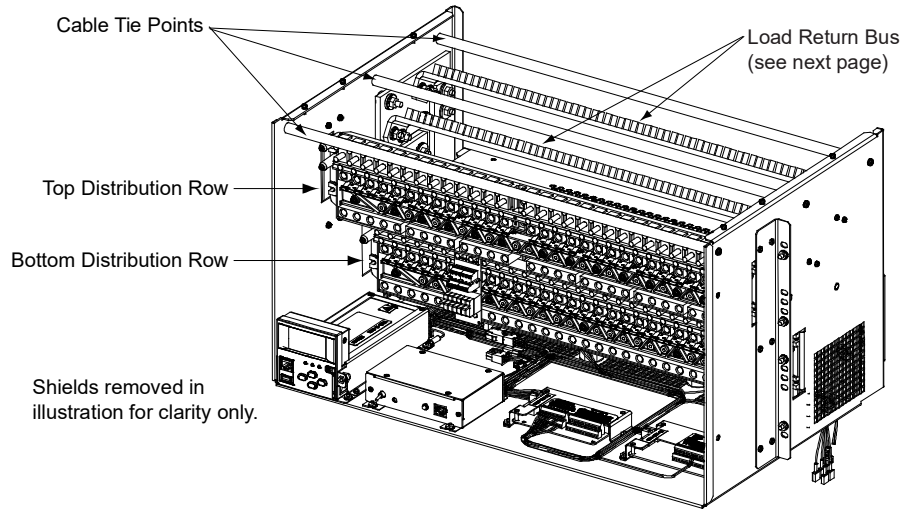


Figure 5.10 Load Return Side Connections in a List 27 Distribution Cabinet

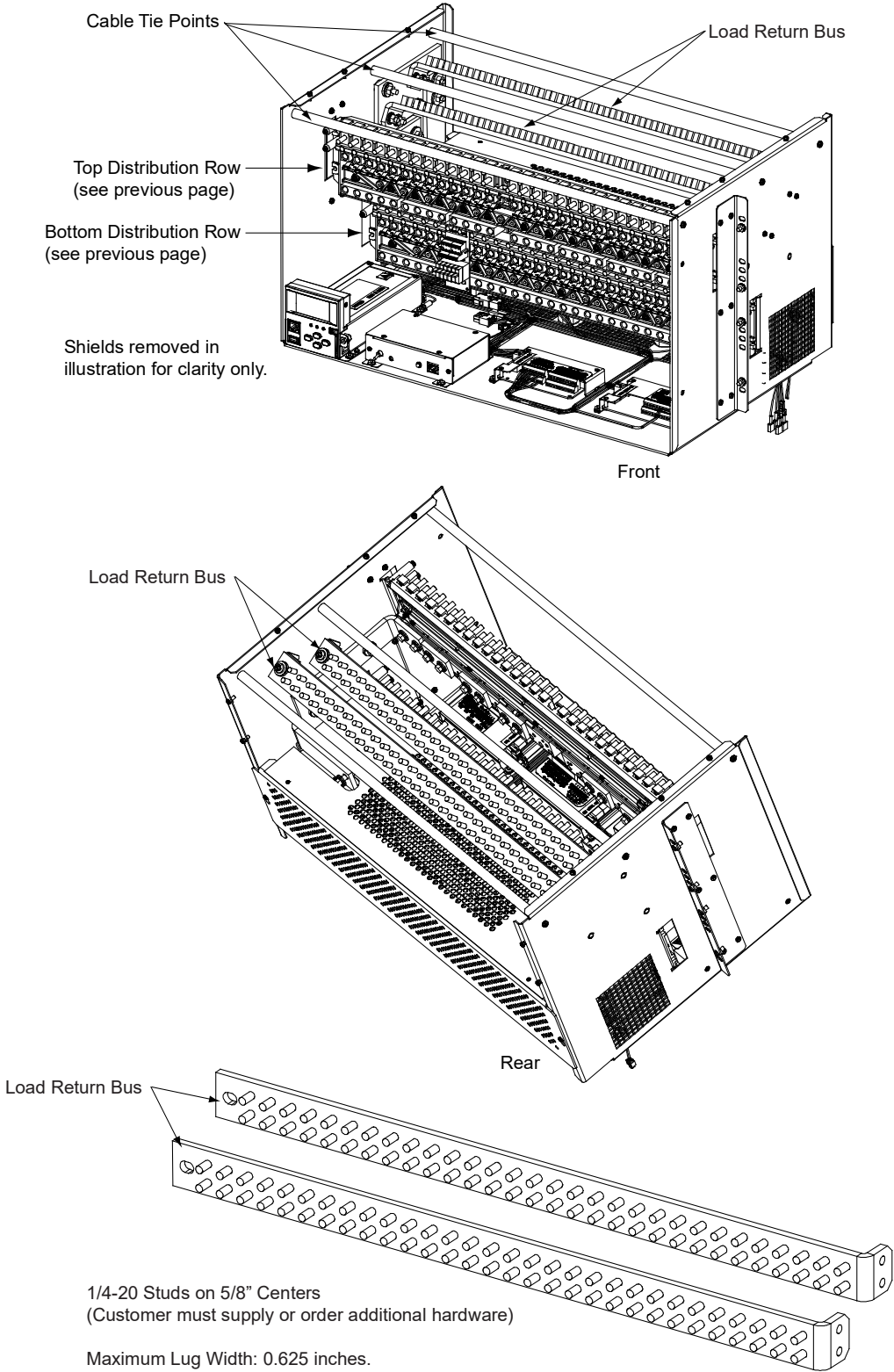
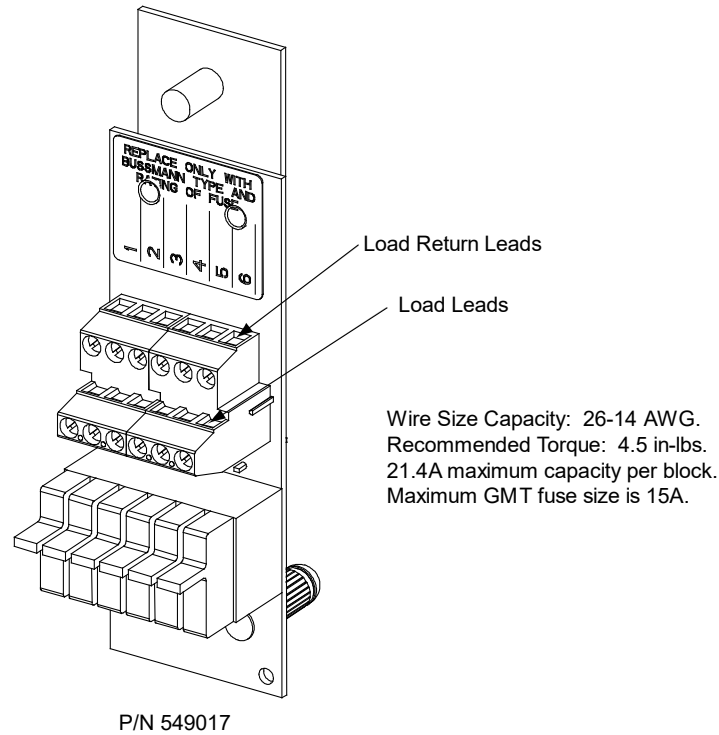


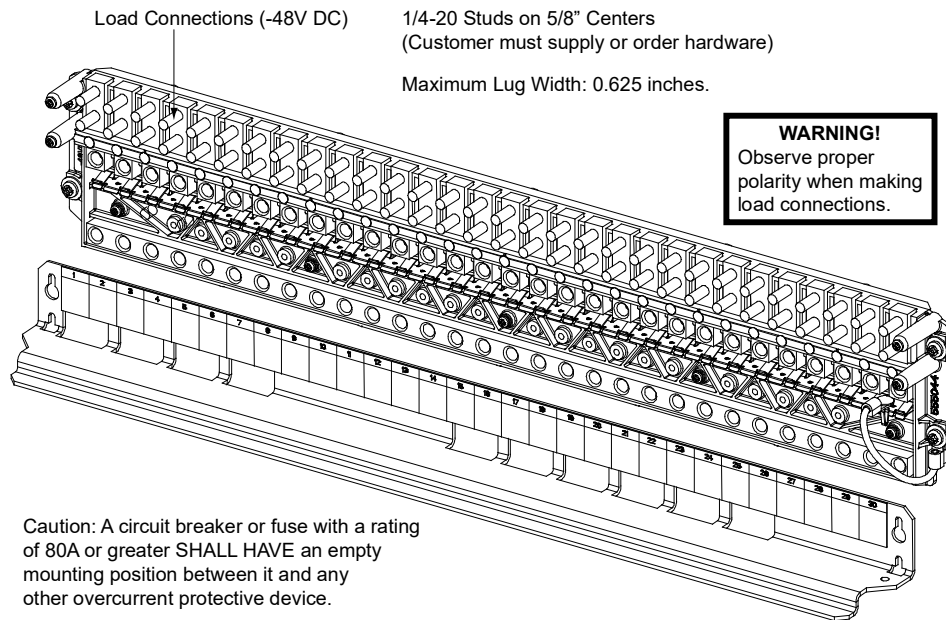
Figure 5.11 Load Connections to GMT Fuse Block (P/N 549017) in a List 27 Distribution Cabinet



Load Connections to Single Voltage Distribution Panels in a List 27 Distribution Cabinet

Figure 5.12 List AC Load Connections

(30) -48 VDC Bullet/TPS/TLS Circuit Breaker/Fuse Positions



Load Connections to Dual Voltage Distribution Panels in a List 27 Distribution Cabinet

Figure 5.13 List DH Load Connections

- (21) -48 VDC Bullet/TPS/TLS Circuit Breaker/Fuse Positions and
- (8) +24 VDC Bullet/TPS/TLS Circuit Breaker/Fuse Positions

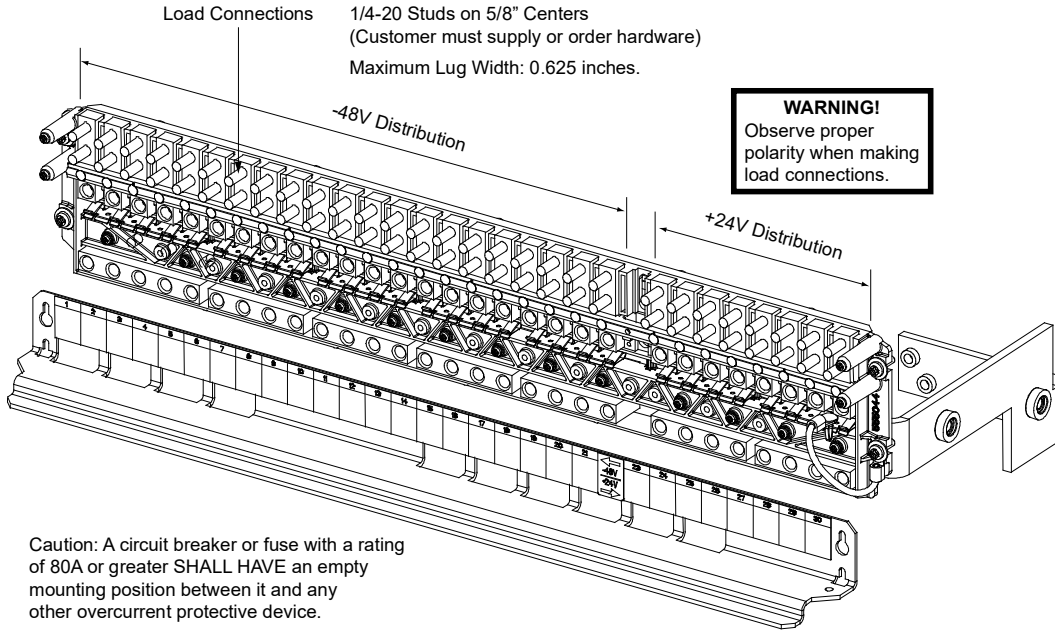


Figure 5.14 List DI Load Connections

- (17) -48 VDC Bullet/TPS/TLS Circuit Breaker/Fuse Positions and
- (12) +24 VDC Bullet/TPS/TLS Circuit Breaker/Fuse Positions

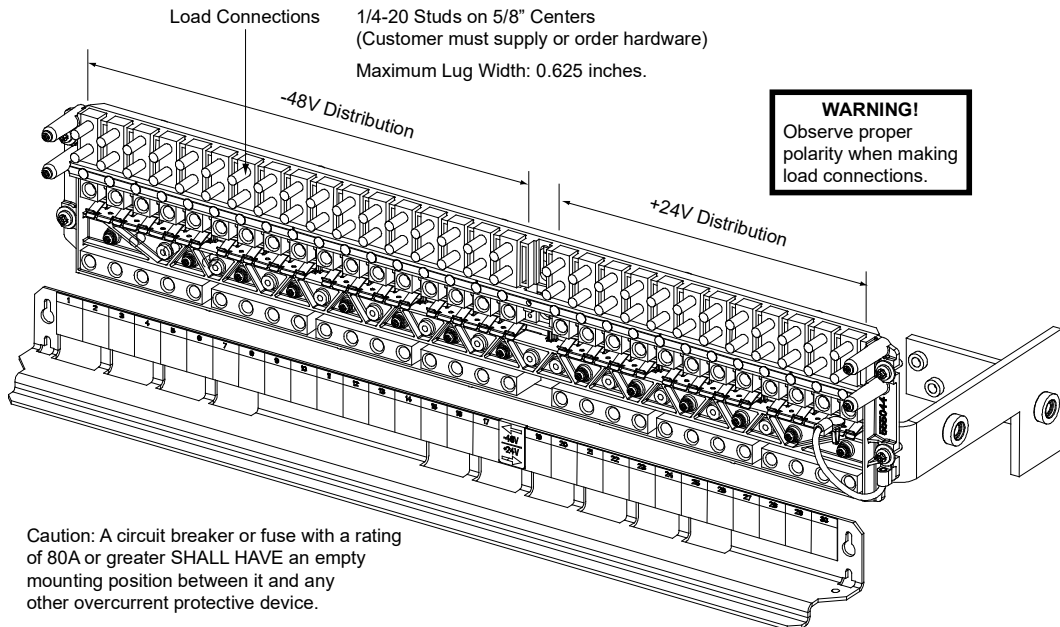


Figure 5.15 List DJ Load Connections

**(13) -48 VDC Bullet/TPS/TLS Circuit Breaker/Fuse Positions and
(16) +24 VDC Bullet/TPS/TLS Circuit Breaker/Fuse Positions**

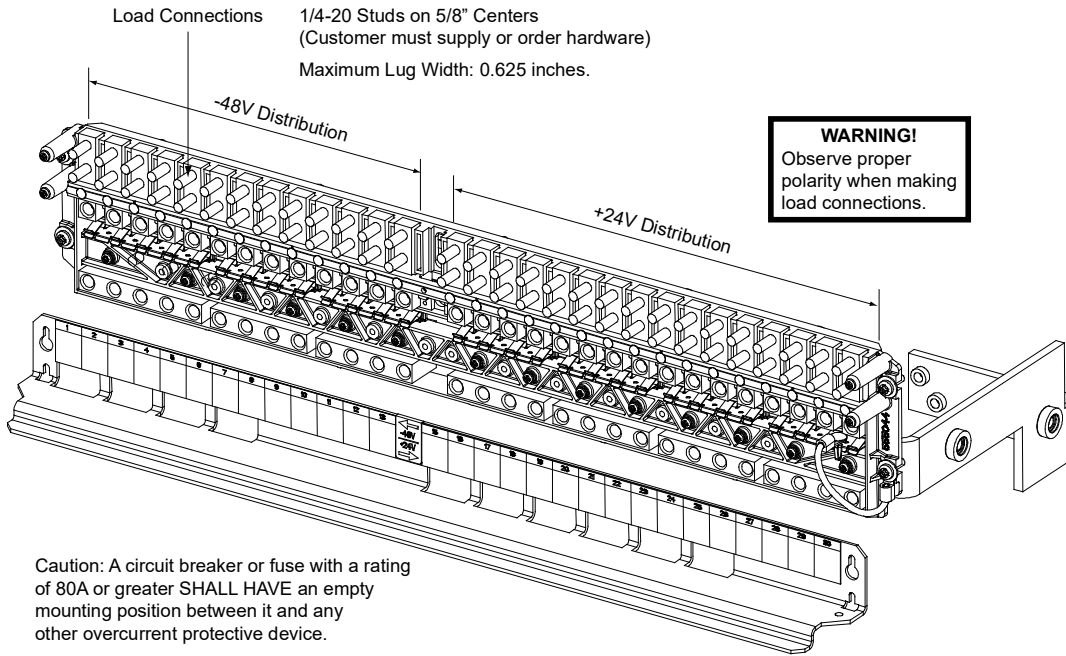


Figure 5.16 List DK Load Connections

**(9) -48 VDC Bullet/TPS/TLS Circuit Breaker/Fuse Positions and
(20) +24 VDC Bullet/TPS/TLS Circuit Breaker/Fuse Positions**

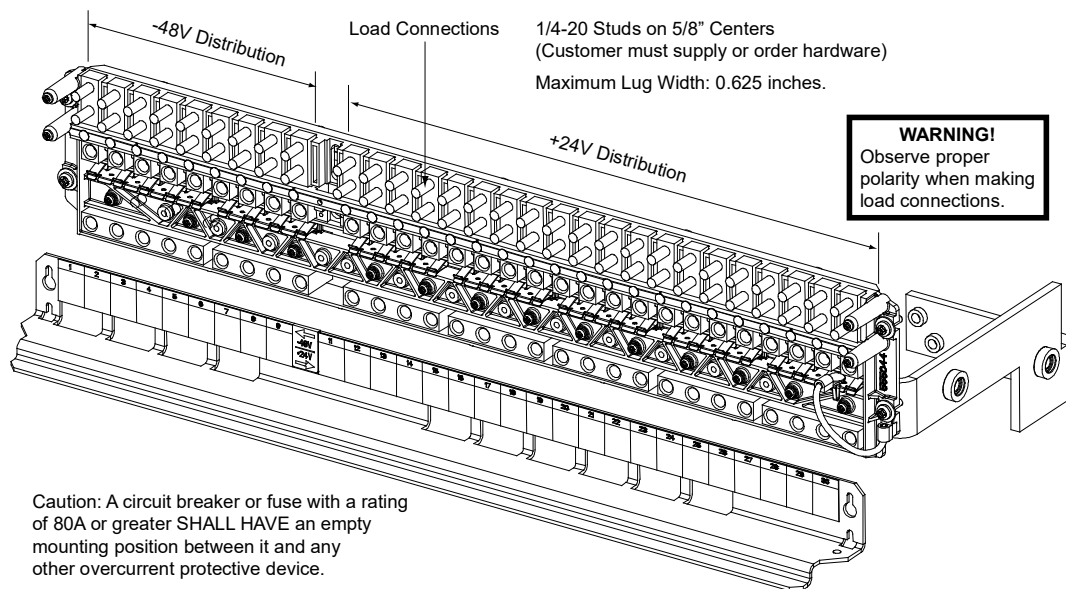
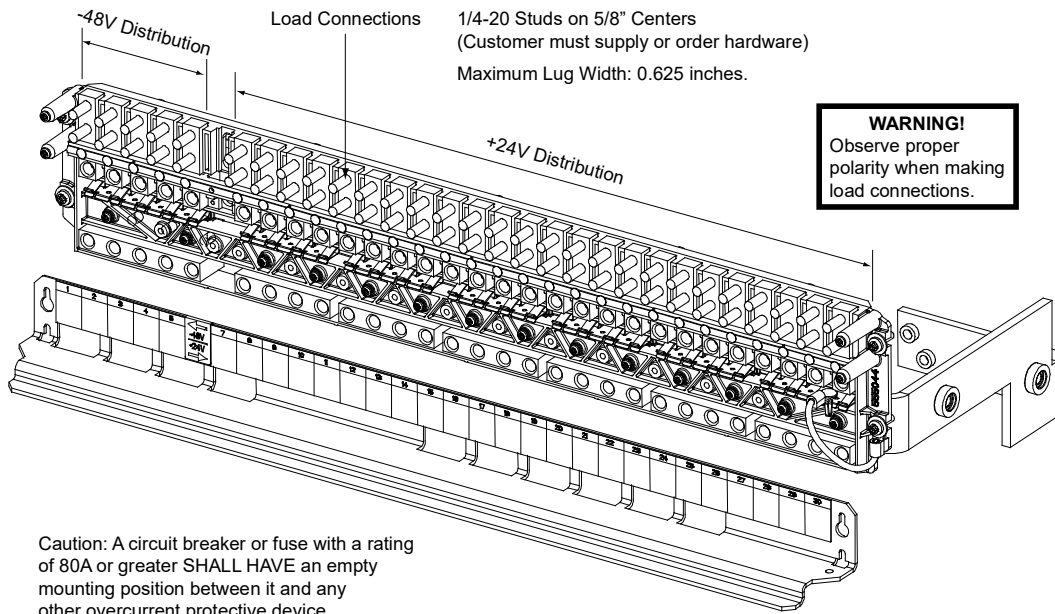


Figure 5.17 List DL Load Connections

(5) -48 VDC Bullet/TPS/TLS Circuit Breaker/Fuse Positions and
(24) +24 VDC Bullet/TPS/TLS Circuit Breaker/Fuse Positions



5.9 Load Connections to a List 7 Distribution Cabinet

Load leads are connected to the individual load busbars located on the distribution panel (refer to **Figure 23**). Load return leads are connected to the return busbar located at the top of the distribution cabinet (refer to **Figure 23**).

Refer to **Figure 24** if an optional “Bullet Nose Type 6-Position GMT Distribution Fuse Block” is furnished.

Recommended Torque

- 72 in-lbs for 1/4-inch hardware (when using standard flat and lock washer).

Figure 5.18 Load and Load Return Connections in a List 7 Distribution Cabinet

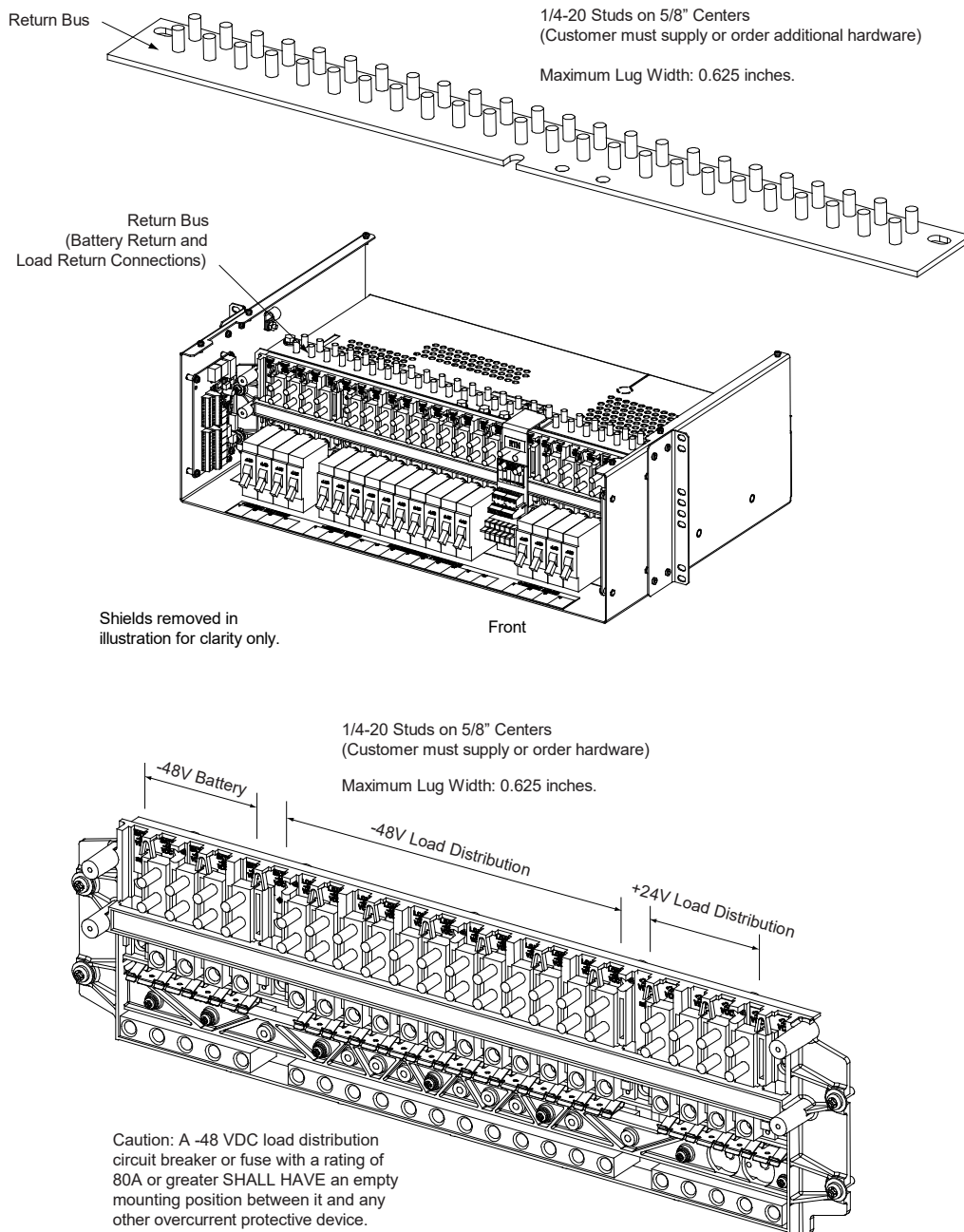
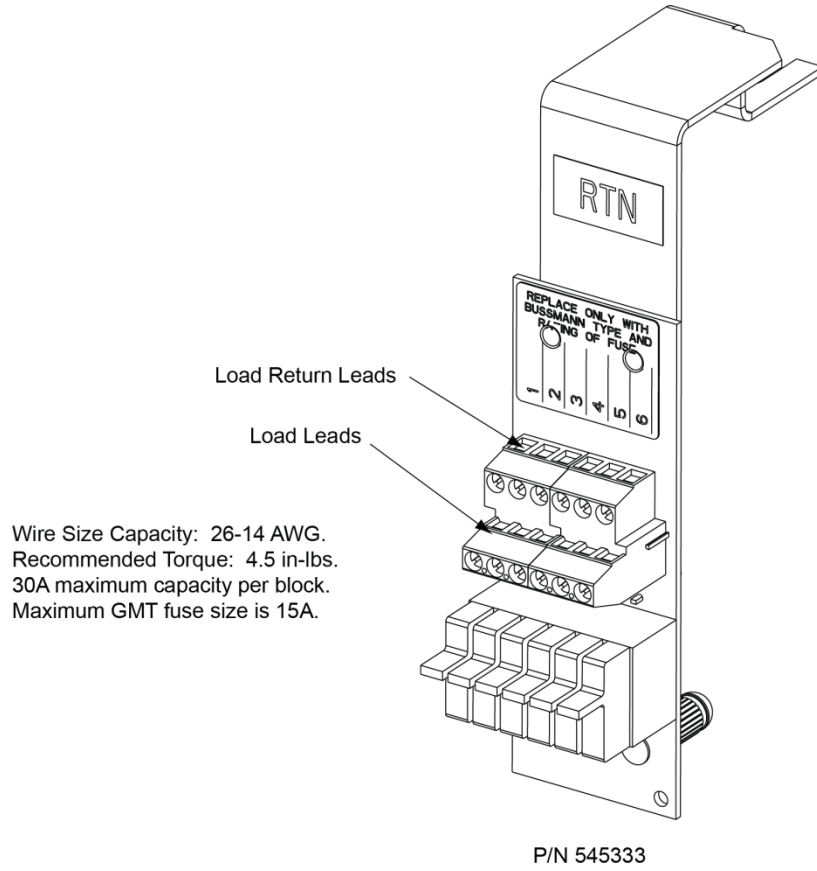


Figure 5.19 Load Connections to GMT Fuse Block (P/N 545333) in a List 7 Distribution Cabinet



5.10 Battery Connections to a List 27 Distribution Cabinet

Input battery leads are connected to the battery busbar and battery return busbar. Customer must supply lug mounting hardware. Refer to **Figure 25**.

Important Safety Instructions



DANGER! Adhere to the “Important Safety Instructions” presented at the front of this document.

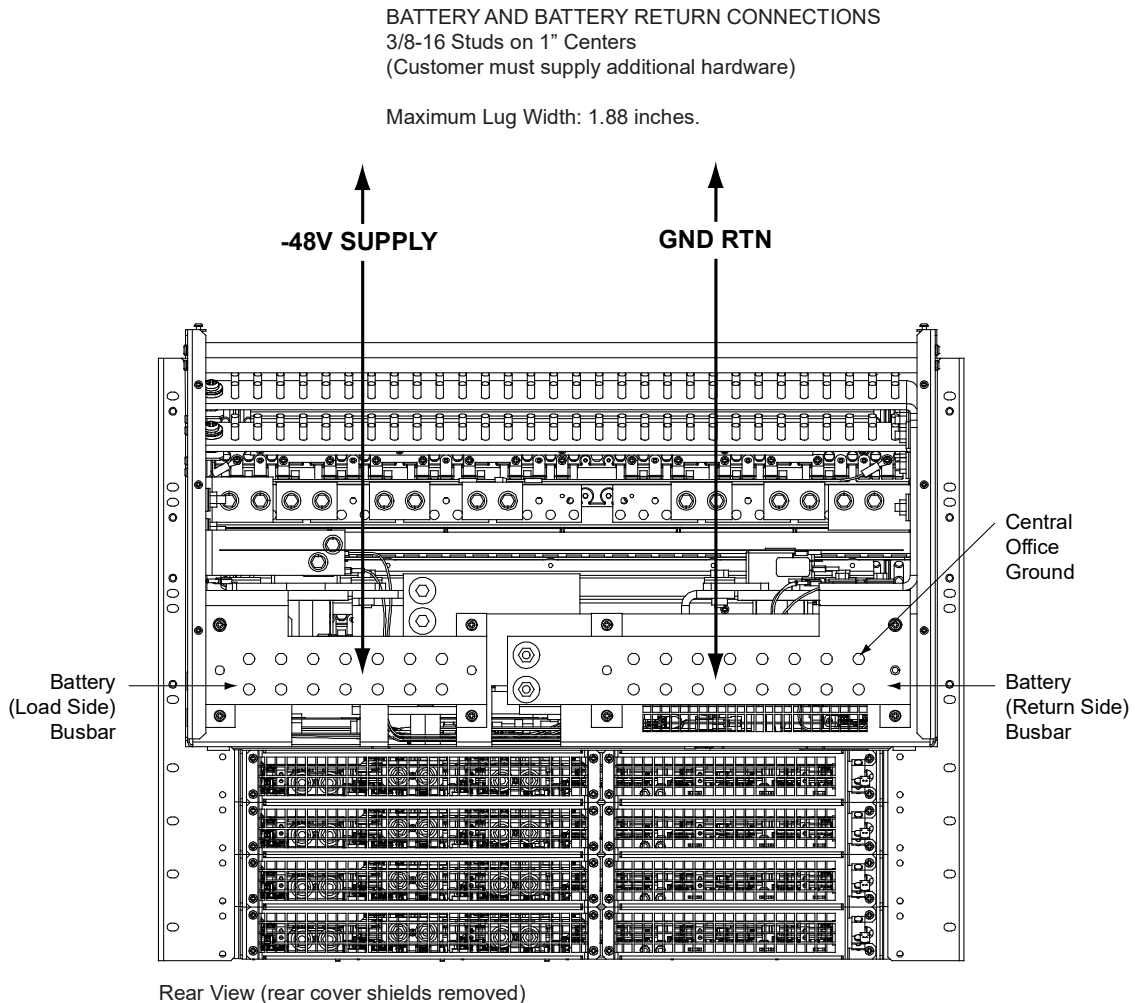


WARNING! Observe proper polarity when making battery connections.

Recommended Torques

- 300 in-lbs for 3/8-inch hardware (when using standard flat and lock washer).
- 180 in-lbs for 3/8-inch hardware (when using a Belleville lock washer).

Figure 5.20 Battery and Central Office Ground Connections in a List 7 Distribution Cabinet



5.11 Battery Connections to a List 7 Distribution Cabinet

Input battery leads are connected to the individual battery busbars located on the distribution panel. Battery return leads are connected to the return busbar located at the top of the distribution cabinet. Customer must provide (or order) lug mounting hardware. Refer to **Figure 26**.

Important Safety Instructions



DANGER! Adhere to the “Important Safety Instructions” presented at the front of this document.

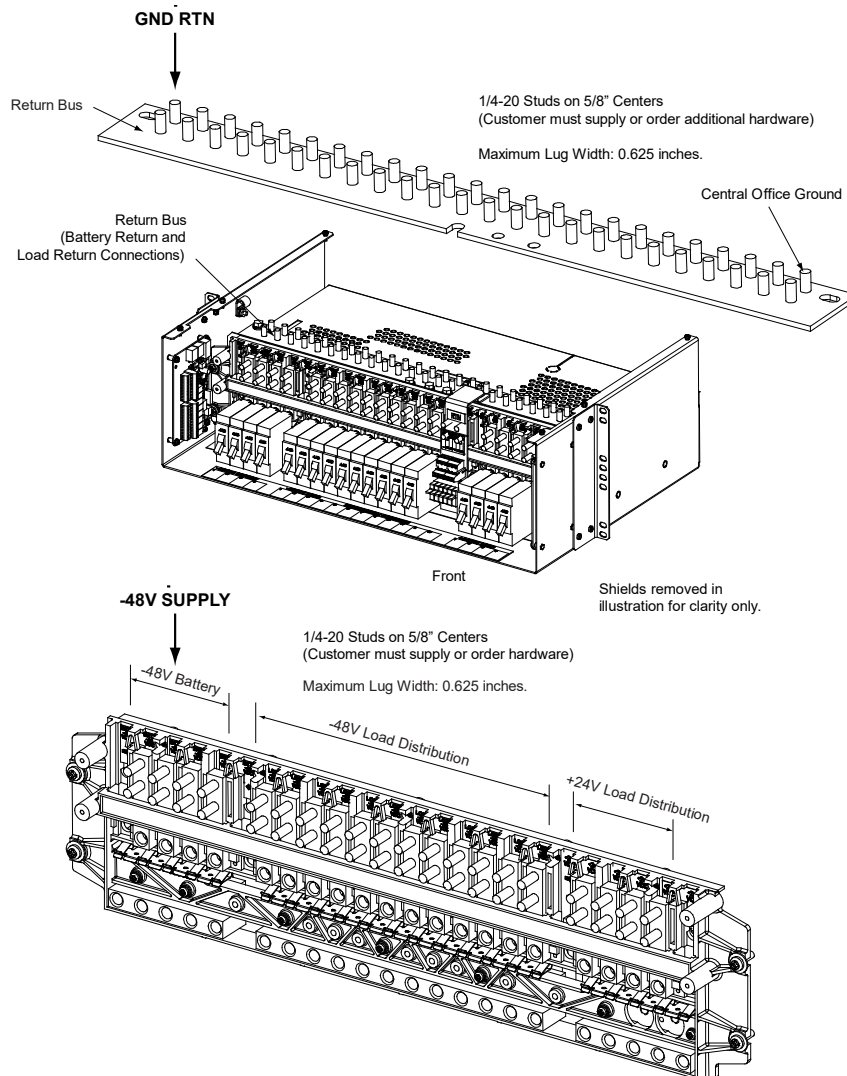


WARNING! Observe proper polarity when making battery connections.

Recommended Torques

- 72 in-lbs for 1/4-inch hardware (when using standard flat and lock washer).

Figure 5.21 Battery and Central Office Ground Connections in a List 7 Distribution Cabinet



6 Installing Rectifier and Converter Modules

6.1 General

Rectifier and converter modules can be inserted or removed with power applied (hot swappable).

6.2 System with List 7 Distribution Cabinet

In the top module mounting shelf, rectifier modules can be installed in any mounting position except the far left. Converter modules CANNOT be installed in the top shelf. See **Figure 27**.

In the bottom module mounting shelf, rectifier modules can be installed in any mounting position. Converter modules can be installed in any of the three far right mounting positions (as viewed from the front). See **Figure 27**.

6.3 System with List 27 Distribution Cabinet

Rectifier modules can be installed in any mounting position of each module mounting shelf. Converter modules can be installed in any of the three far right mounting positions of each module mounting shelf (as viewed from the front). See **Figure 28**.

6.4 Installing Rectifier and Converter Modules



NOTE! Each rectifier and converter module locks into the module mounting shelf by means of a latch located on the bottom of the module. The latch and module handle are interactive. Pushing the handle up into the module's front panel causes the latch to extend to the locking position; pulling the handle down out from the module's front panel causes the latch to retract. See **Figure 27** or **Figure 28**.

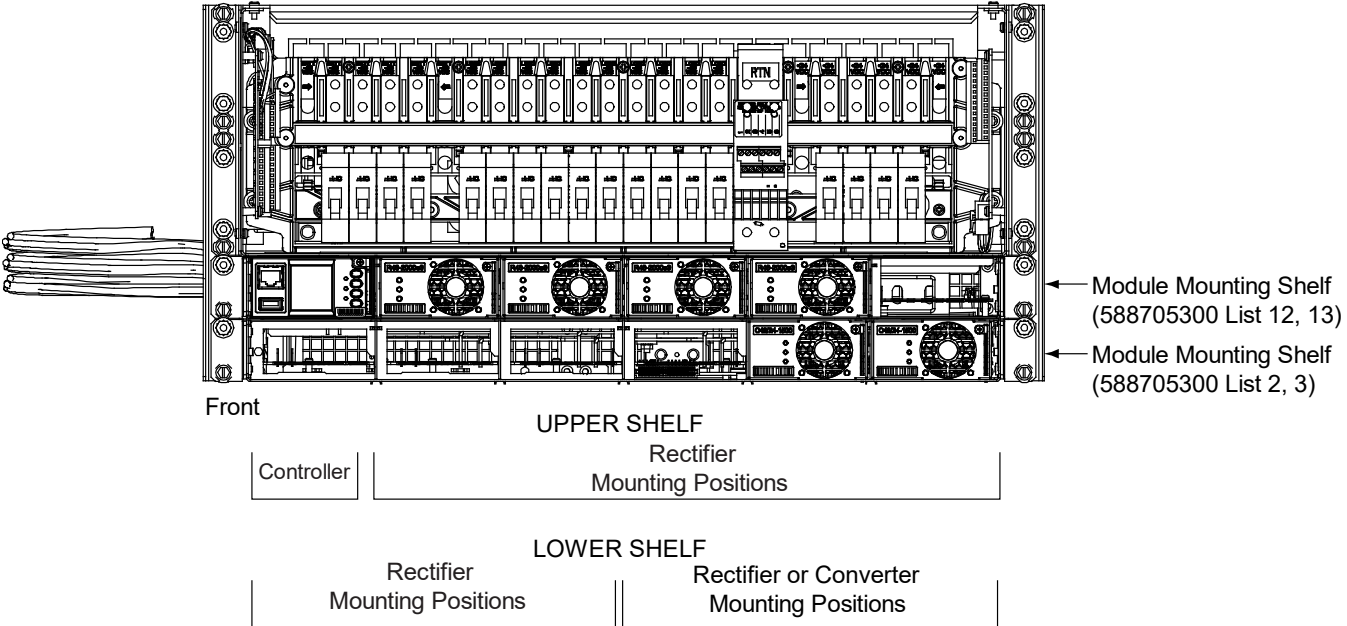


WARNING! To prevent damage to the latching mechanism, ensure the handle is in the open position when installing or removing a module. NEVER hold the handle in the closed position when installing a module into a shelf.

Procedure

1. Unpack the modules.
2. Note the model number located on the front of each module. Model numbers starting with the letter "R" are rectifier modules. Model numbers starting with the letter "C" are converter modules.
3. Place the module into an unoccupied mounting position without sliding it in completely. See **Figure 27** or **Figure 28** for acceptable positions.
4. Loosen the captive screw on the module's handle. Pull the handle down out from the module's front panel (this will also retract the latch mechanism). See **Figure 27** or **Figure 28**.
5. Push the module completely into the shelf.
6. Push the handle up into the module's front panel. This will lock the module securely to the shelf. Tighten the captive screw on the handle.
7. Repeat the above steps for each module being installed in the system.
8. After the modules are physically installed in the mounting shelf(s), they are ready for operation immediately after power is supplied to them.

Figure 6.1 Installing Rectifier and Converter Modules, System with List 7 Distribution Cabinet



Rectifier or Converter Module

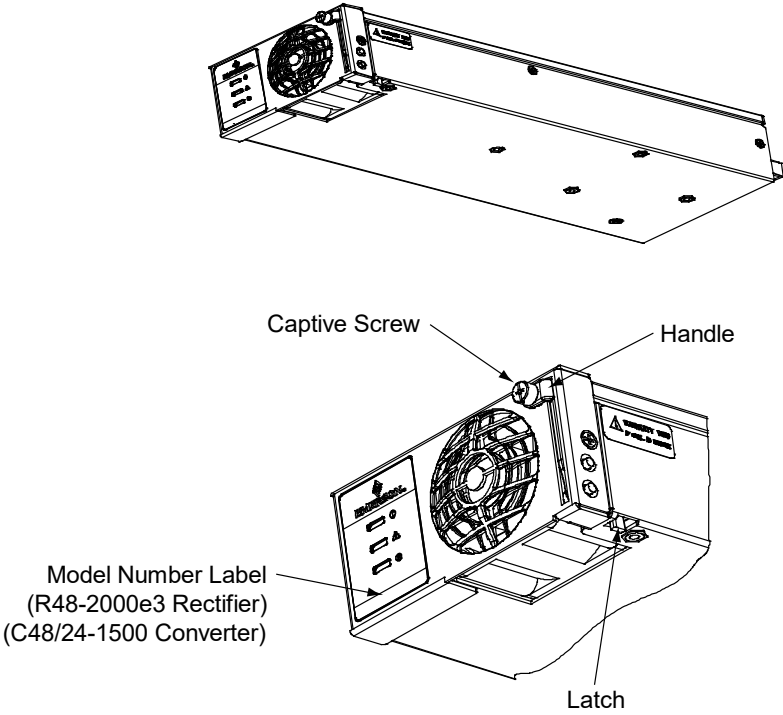
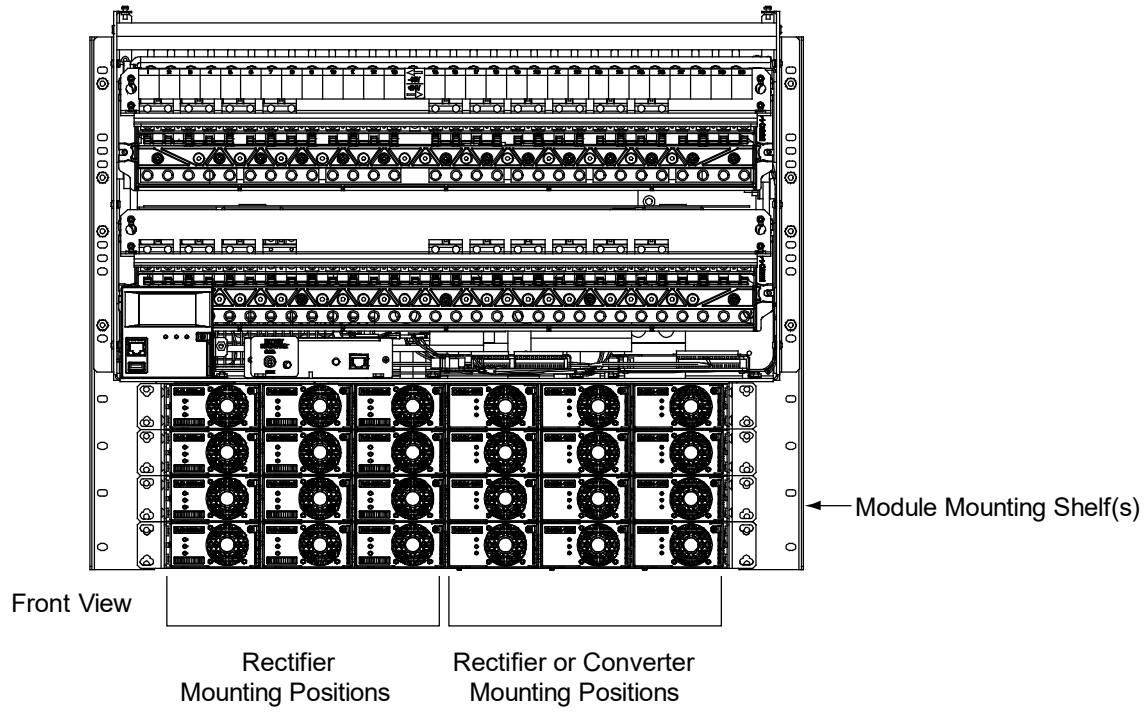
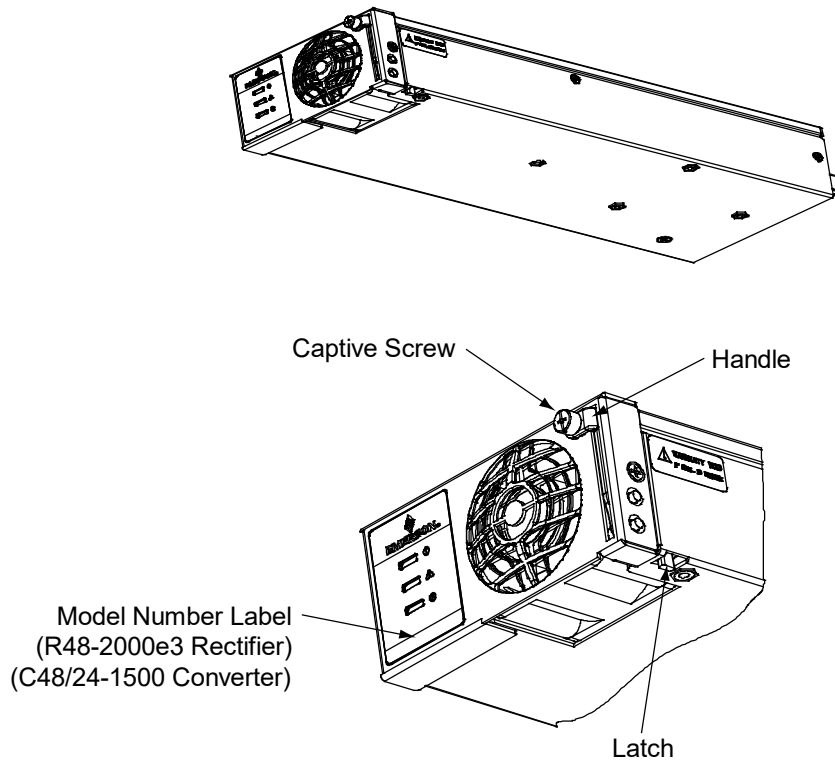


Figure 6.2 Installing Rectifier and Converter Modules, System with List 27 Distribution Cabinet



Rectifier or Converter Module



7 Initially Starting, Configuring, and Checking System Operation

7.1 Important Safety Instructions



CAUTION! Performing various steps in the following procedures may cause a service interruption and/or result in the extension of alarms. Notify any appropriate personnel before starting these procedures. Also, notify personnel when these procedures are completed.

7.2 Initial Startup Preparation

- Ensure that module mounting positions are filled by a rectifier module or converter module as desired. It is acceptable for positions to be left vacant.
- Refer to the configuration drawing (C-drawing) supplied with your power system documentation for factory settings of adjustable parameters.

7.3 Initially Starting the System

Procedure

1. Apply DC input power to the system by closing the external DC disconnect(s) or protective device(s) that supplies battery power to the system, if furnished.
2. Apply AC input power to the system by closing ALL external AC disconnects or protective devices that supply AC power to the module mounting shelves. Rectifiers and converters (if furnished) automatically start.
3. Place each distribution circuit breaker (if furnished) to the ON position.

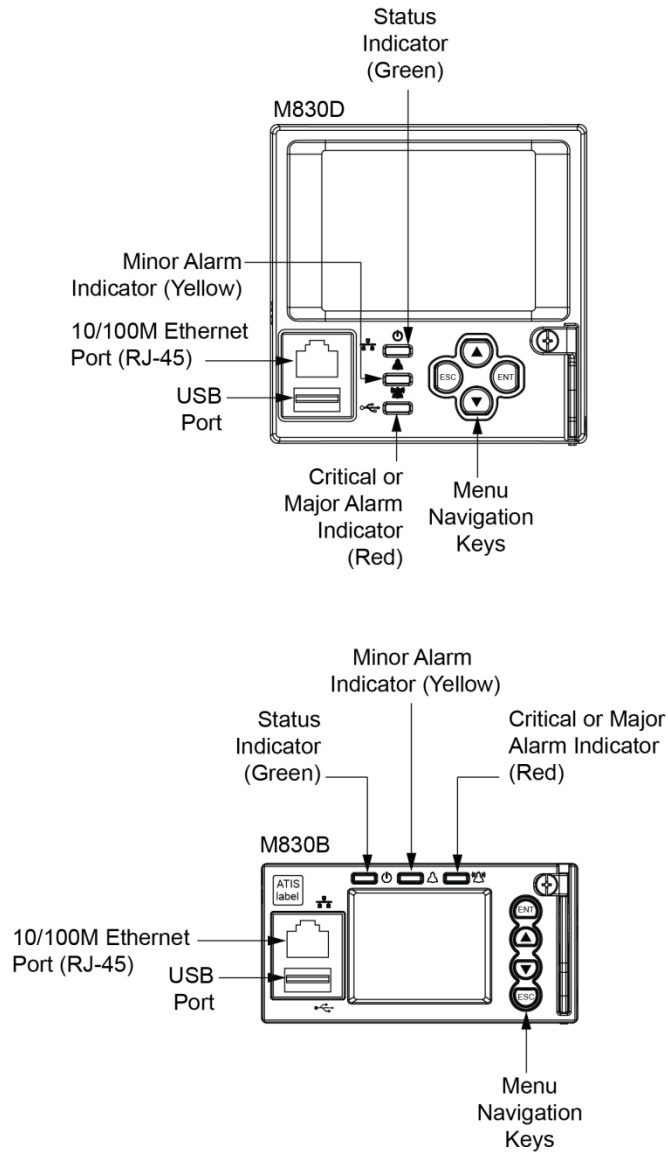
7.4 NCU Controller Procedure

Refer to the NCU Instructions (UM1M830BNA) for detailed instructions.

NCU Controller Initialization

Refer to **Figure 29** for locations of the NCU local indicators and navigation keys.

Figure 7.1 NCU Local Indicators and Navigation Keys



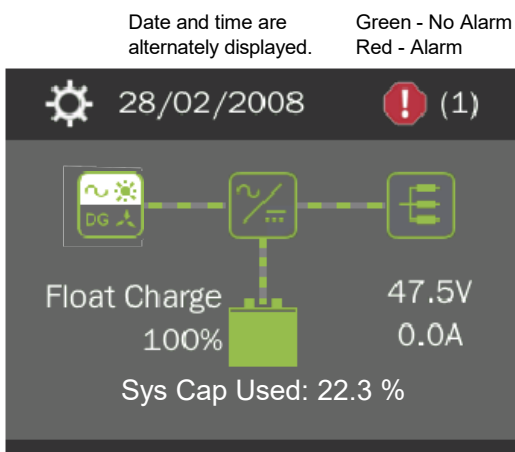
Procedure



NOTE! The initialization routine takes several minutes. During that time various alarm indicators may illuminate on the NCU front panel and an audible alarm may sound. Disregard all alarms. An audible alarm can be silenced at any time by momentarily depressing the **ENT** key on the NCU Controller.

1. After the NCU is powered on, the display shows the “**Logo**” screen. The controller is initializing.
2. When initialization is complete, the language screen appears. Press the up or down arrow key to select the desired language. Press the **ENT** key to confirm the selection.
3. The Main Menu displays.

Main Menu



Date and time are alternately displayed.

Green - No Alarm
Red - Alarm

The number in () indicates the total number of alarms.

Press the UP and DOWN keys to highlight the desired Menu graphic in the Main Menu.

Press the ENT key to enter the selected menu.

| Graphics | Menu Name | Description |
|----------|--|--|
| | Alarm (Green - No Alarm) (Red - Alarm) | View active alarms and alarm history. |
| | Settings | Gain access to the NCU Controller's settings menus. |
| | Input Power | View AC, Solar, DG, and Wind related information. |
| | Module | View rectifier, solar converter, and converter module related information. |
| | DC | View DC equipments related information. |
| | Battery | View battery related information. |

To reboot the Controller, from the Main Menu press the ENT and ESC keys at the same time. Release both keys. Press ENT to confirm.

4. System information is displayed in multiple screens. Press the ESC key to view other system information. Press the down arrow key to view the next screen. Press the ESC key to return to the Main Menu.
5. From the Main Menu, press the UP and DOWN keys to highlight the desired Menu graphic in the Main Menu. Press the ENT key to enter the selected menu.



NOTE! Repeatedly press the “ESC” key to return in reverse order level by level from any submenu until the Main Menu appears.

6. Verify and set the NCU controller as required for your application. Refer to the NCU Instructions (UM1M830BNA) for procedures. Note that you will have to program the NCU for any temperature probes and external inputs/outputs connected to the IB2 Interface Board and EIB Extended Interface Board. Refer also to “NCU Start Wizard” on page 40.



NOTE! When setting total rectifier current limit, the set point to each unit is the total set point divided by the number of units. For example, if the system contains five rectifiers and the current limit is set to 150 amps then each rectifier has a current limit set point of 30 amps. If one or more rectifiers are removed or fail it will take several seconds for the individual set points to the remaining rectifiers to be reset. In the example given, if one rectifier is removed the current limit set point will drop to 120 amps (30 amps times four remaining rectifiers) until the controller can send updated set points to the remaining rectifiers. This takes a couple communication cycles (several seconds) after which each rectifier would have a new set point of 37.5 amps for a total of 150 amps. The total current limit of the rectifiers should not be set such that the loss of the redundant rectifiers will cause this temporary set point to drop below the actual maximum expected load. If batteries are used on the rectifier output, the batteries should support the load until the current limit set points can be re-established due to loss of a rectifier.

NCU Start Wizard

For initial startup, you can perform the Start Wizard from the local keypad and display to enter basic programmable parameters in one session. Refer to the “Start Wizard” section in the NCU Instructions (UM1M830BNA).

Verifying the Configuration File

Your NCU was programmed with a configuration file that sets all adjustable parameters. The version number of the configuration file can be found on the configuration drawing (C-drawing) that is supplied with your power system documentation, and on a label located on the NCU. You can verify that the correct configuration file has been loaded into your NCU by performing the following procedure.

Procedure

1. With the Main Menu displayed, press **ESC**. A screen displays the NCU name, serial number, IP number, software version, and hardware version.
2. Press the **DOWN** key. A screen displays the configuration version number, NCU file system, and MAC address.
3. Press **ESC** to return to the Main Menu.

Checking Basic System Settings

Navigate through the controller menus and submenus to check system settings. You can adjust any parameter as required. Note that these settings can also be checked (and changed if required) via the WEB Interface. Refer also to “NCU Start Wizard” on page 40.



NOTE! Repeatedly press the “ESC” key to return in reverse order level by level from any submenu until the Main Menu appears.

Procedure

1. **To Select a Sub-Menu:**
Press the UP and DOWN keys to highlight the desired sub-menu. Press the ENT key to enter the selected sub-menu.
2. **To Select a User:**
To select a User, use the UP and DOWN keys to move the cursor to the Select User field. Press ENT. Use the UP and DOWN keys to select a User previously programmed into the NCU. Press ENT to select the User. Note that only Users programmed into the NCU are shown. Users are programmed via the Web Interface. The default User is admin.
3. **To Enter a Password:**
If a password screen opens, a password must be entered to allow the User to make adjustments. To enter a password, use the UP and DOWN keys to move the cursor to the Enter Password field. Press ENT. Use the UP and DOWN keys to choose a character. Press ENT to accept and move to the next character. Continue this process until all characters are entered. Press ENT again to accept the password. The default password is 640275.

4. **To Change a Parameter:**
Press the UP and DOWN keys to move up and down the list of parameters. Press ENT to select the parameter. Press the UP and DOWN keys to change the parameter. Press ENT to make the change. Press ESC to cancel the change.
5. **Table 8** shows the menu navigation for some basic settings. Refer to the separate NCU Manual (UM1M830BNA) supplied with your power system for complete Local Display menus.

Table 7.1 NCU Basic Settings Menu Navigation

| Parameter | Menu Navigation |
|--|--|
| Date | Main Menu / Settings Icon / Sys Settings / Date. |
| Time | Main Menu / Settings Icon / Sys Settings / Time. |
| IP Communications Parameters (IP address, subnet mask address, gateway address) | Main Menu / Settings Icon / Comm Settings / enter parameters. |
| Float Voltage | Main Menu / Settings Icon / Batt Settings / Charge / Float Voltage. |
| Equalize Voltage | Main Menu / Settings Icon / Batt Settings / Charge / EQ Voltage. |
| Battery Current Limit | Main Menu / Settings Icon / Batt Settings / Charge / Curr Limit Mode and Batt Curr Limit. |
| Battery Capacity | Main Menu / Settings Icon / Batt Settings / Batt1 Settings or Batt2 Settings / Rated Capacity. |
| Reset Battery Capacity | Main Menu / Settings Icon / Batt Settings / Basic Settings / Reset Batt Cap |
| BTRM Feature | Web Menu Navigation Only: Settings Menu / Battery Tab. |
| Battery Charge Temperature Compensation | Main Menu / Settings Icon / Batt Settings / Temp Comp (enter parameters). |
| HVSD Limit | Web Menu Navigation Only: Settings Menu / Rectifiers Tab / HVSD (set to enabled) then set HVSD Limit. |
| Rectifier Current Limit | Main Menu / Settings Icon / Rect Settings / Current Limit (set to enabled) then set Curr Limit Pt. |
| Over Voltage Alarm 1 | Main Menu / Settings Icon / Other Settings / Over Voltage 1. |
| Over Voltage Alarm 2 | Main Menu / Settings Icon / Other Settings / Over Voltage 2. |
| Under Voltage Alarm 1 | Main Menu / Settings Icon / Other Settings / Under Voltage 1. |
| Under Voltage Alarm 2 | Main Menu / Settings Icon / Other Settings / Under Voltage 2. |

Changing Battery Capacity Rating in the NCU

Change the battery capacity setting of the NCU to match the battery connected to the power system.

Local Menu Navigation:

Main Menu / Settings Icon / Batt Settings / Batt1 Settings or Batt2 Settings / Rated Capacity.

Web Menu Navigation:

Settings Menu / Battery Tab / Batt1 Rated Capacity and Batt2 Rated Capacity.

Refer to the NCU Instructions (UM1M830BNA) for detailed instructions.

Configuring the NCU Identification of Rectifiers and Assigning which Input Feed is Connected to the Rectifiers

When rectifiers are all installed prior to applying power and starting the system, the order in which the NCU identifies the rectifiers is by serial number (lowest serial number is Rect 1, next lowest is Rect 2, etc.). If you prefer the NCU to identify the rectifiers by position in the system, perform the following procedure.

Upon power up, the NCU arbitrarily assigns Feed AC1, AC2, or AC3 to each rectifier. This assignment is used to display rectifier AC input feed voltage(s). The User may reassign the feed to each rectifier per your specific installation by following the procedure below.

Local Menu Navigation:

None.

Web Menu Navigation:

Refer to the NCU Instructions (UM1M830BNA) for detailed instructions.

Configuring the NCU Identification of -48 VDC to +24 VDC Converters

When -48 VDC to +24 VDC converters are all installed prior to applying power and starting the system, the order in which the NCU identifies the -48 VDC to +24 VDC converters is by serial number (lowest serial number is Conv 1, next lowest is Conv 2, etc.). If you prefer the NCU to identify the -48 VDC to +24 VDC converters by position in the system, perform the following procedure.

Local Menu Navigation:

None.

Web Menu Navigation:

Refer to the NCU Instructions (UM1M830BNA) for detailed instructions.

NCU Alarm Relay Check

To verify operation of the external alarm relays, use the NCU alarm relay test feature. Refer to the NCU Instructions (UM1M830BNA) for instructions in using this feature.



NOTE! *The relays may be preprogrammed for specific functions. Refer to the configuration drawing (C-drawing) supplied with your system for your system's specific configuration.*

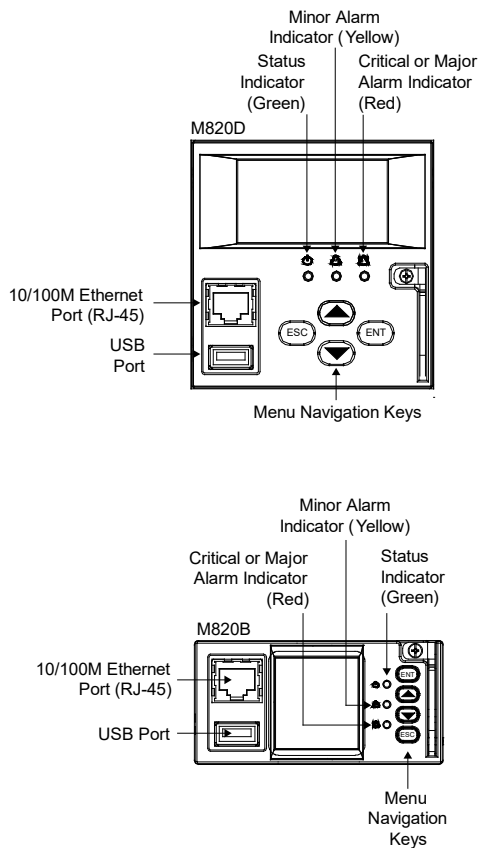
7.5 ACU+ Controller Procedure

Refer to the ACU+ Instructions (UM1M820BNA) for detailed instructions.

ACU+ Controller Initialization

Refer to **Figure 30** for locations of the ACU+ local indicators and navigation keys.

Figure 7.2 ACU+ Local Indicators and Navigation Keys

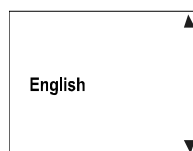


Procedure

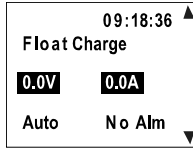


NOTE! The initialization routine takes several minutes. During that time various alarm indicators may illuminate on the ACU+ front panel and an audible alarm may sound. Disregard all alarms. An audible alarm can be silenced at any time by momentarily depressing the **ENT** key on the ACU+ Controller.

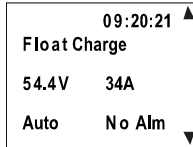
1. After the ACU+ is powered on, the display alternates between the “**Logo**” screen and a screen displaying “**Advanced Control Unit Plus Version ***** Starting...**”
2. Next, the language screen appears. Press the up or down arrow key to select the desired language. Press the **ENT** key to confirm the selection. If no key is pressed within 10 seconds, the ACU+ selects the displayed language automatically.



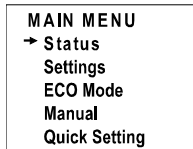
3. As initialization continues, the Main screen is displayed, but with zero volts. Initialization is not complete.



- When initialization is complete, the Main screen displays voltage and current normally, and no alarms are active.



- System information is displayed in multiple screens. Repetitively press the up or down arrow key to view other system information screens one by one.
- From the Main screen, press **ENT** to go to the “Main Menu” screen.



- From the Main Menu, select a submenu by repetitively pressing the up or down arrow key. The selected submenu will be indicated by the cursor. Press **ENT** to open the submenu.



NOTE! Repeatedly press the “ESC” key to return in reverse order level by level from any submenu until the Main screen appears.

- Verify and set the ACU+ controller as required for your application. Refer to the ACU+ Instructions (UM1M820BNA) for procedures. Note that you will have to program the ACU+ for any temperature probes and external inputs/outputs connected to the IB2 Interface Board and EIB Extended Interface Board.



NOTE! When setting total rectifier current limit, the set point to each unit is the total set point divided by the number of units. For example, if the system contains five rectifiers and the current limit is set to 150 amps then each rectifier has a current limit set point of 30 amps. If one or more rectifiers are removed or fail it will take several seconds for the individual set points to the remaining rectifiers to be reset. In the example given, if one rectifier is removed the current limit set point will drop to 120 amps (30 amps times four remaining rectifiers) until the controller can send updated set points to the remaining rectifiers. This takes a couple communication cycles (several seconds) after which each rectifier would have a new set point of 37.5 amps for a total of 150 amps. The total current limit of the rectifiers should not be set such that the loss of the redundant rectifiers will cause this temporary set point to drop below the actual maximum expected load. If batteries are used on the rectifier output, the batteries should support the load until the current limit set points can be re-established due to loss of a rectifier.

Verifying the Configuration File

Your ACU+ was programmed with a configuration file that sets all adjustable parameters. The version number of the configuration file can be found on the configuration drawing (C-drawing) that is supplied with your power system documentation, and on a label located on the ACU+. You can verify that the correct configuration file has been loaded into your ACU+ by performing the following procedure.

Procedure

NOTE! When viewing any of the following screens, if a key is not depressed within approximately 10 seconds, the ACU+ will automatically return to the Main screen.

1. With the Main screen displayed, press **ESC**. A screen displays the serial number and software version.
2. Press **ENT**. A screen displays the hardware version and MAC address.
3. Press **ENT**. A screen displays the configuration version number.
4. Press **ESC**, or wait approximately 10 seconds, to return to the Main screen.

Checking Basic System Settings

Navigate through the controller menus and submenus to check system settings. You can adjust any parameter as required. Note that these settings can also be checked (and changed if required) via the WEB Interface.



NOTE! Repeatedly press the "ESC" key to return in reverse order level by level from any submenu until the Main screen appears.

Procedure

1. **To Select a Sub-Menu:**
Press the UP or DOWN arrow keys to move the cursor up and down the list of sub-menus in the menu screen (selects the sub-menu), then press ENT to enter the selected sub-menu.
2. **To Select a User:**
To select a User, use the UP or DOWN arrow keys to move the cursor to the Select User field. Press ENT. Use the UP and DOWN keys to select a User previously programmed into the ACU+. Press ENT to select the User. Note that only Users programmed into the ACU+ are shown. Users are programmed via the Web Interface. The default User is admin.
3. **To Enter a Password:**
If a password screen opens, a password must be entered to allow the User to make adjustments. To enter a password, use the UP and DOWN keys to move the cursor to the Enter Password field. Press ENT. Use the UP and DOWN keys to choose a character. Press ENT to accept and move to the next character. Continue this process until all characters are entered. Press ENT again to accept the password. The default password is 1.
4. **To Change a Parameter:**
Press the up or down arrow keys to move the cursor up and down the list of parameters in the menu screen (selects the parameter to change), then press ENT to change the selected parameter. The parameter field highlights. Press the up or down arrow keys to change the parameter value. Press ENT to confirm the change.

Table 9 shows the menu navigation for some basic settings. Refer to the separate ACU+ Manual (UM1M820BNA) supplied with your power system for details and additional settings.

Table 7.2 ACU+ Basic Settings Menu Navigation

| Parameter | Menu Navigation |
|--|---|
| Date | Main Menu / Settings / Controller / Date |
| Time | Main Menu / Settings / Controller / Time |
| IP Communications Parameters (IP address, subnet mask address, gateway address) | Main Menu / Settings / Communication |
| Float Voltage | Main Menu / Settings / Battery / Charge / Float Voltage |
| Equalize Voltage | Main Menu / Settings / Battery / Charge / EQ Voltage |
| Battery Capacity | Main Menu / Settings / Battery / Battery 1 / Rated Capacity |
| BTRM Feature | Main Menu / Settings / Battery / Basic / BTRM Action Main Menu / Settings / Battery / Basic / BTRM Voltage |
| Temperature Compensation Center Temperature | Main Menu / Settings / Battery / Temp Comp / Temp CompCenter |
| Temperature Compensation Slope | Main Menu / Settings / Battery / Temp Comp / Temp Comp Coeff |
| Temperature Compensation Sensor | Main Menu / Settings / Battery / Temp Comp / TempComp Sensor |
| Temperature Compensation Maximum Voltage | Main Menu / Settings / Battery / Temp Comp / Temp Comp Max V |
| Temperature Compensation Minimum Voltage | Main Menu / Settings / Battery / Temp Comp / Temp Comp Min V |
| HVSD Limit | Main Menu / Settings / Rectifier / All Rect Set / HVSD Limit |
| Rectifier Current Limit | Main Menu / Settings / Rectifier / All Rect Set / Curr Limit Pt |
| Over Voltage Alarm 1 | Main Menu / Settings / Power System / General / Over Voltage 1 |
| Over Voltage Alarm 2 | Main Menu / Settings / Power System / General / Over Voltage 2 |
| Under Voltage Alarm 1 | Main Menu / Settings / Power System / General / Under Voltage 1 |
| Under Voltage Alarm 2 | Main Menu / Settings / Power System / General / Under Voltage 2 |

Changing Battery Capacity Rating in the ACU+

Change the battery capacity setting of the ACU+ to match the battery connected to the power system.

Local Menu Navigation:

Main Menu / Settings / Battery / Battery # / Rated Capacity.

WEB Menu Navigation:

Device Information / Battery Group / Battery # / select the Settings Tab and enter the Battery Rating parameter.

Refer to the ACU+ Instructions (UM1M820BNA) for detailed instructions.

Configuring the ACU+ Identification of Rectifier Modules and Assigning which Input Phase is Connected to the Rectifiers

When rectifiers are all installed prior to applying power and starting the system, the order in which the ACU+ identifies the rectifiers is by serial number (lowest serial number is Rect 1, next lowest is Rect 2, etc.). If you prefer the ACU+ to identify the rectifiers by position in the system, perform the following procedure.

Upon power up, the ACU+ arbitrarily assigns Phase A, B, or C to each rectifier. This assignment is used to display rectifier AC input phase voltage(s). The User may reassign the phase to each rectifier per your specific installation by following the procedure below.

Local Menu Navigation:

Main Menu / Settings / Rectifier / Rect #1 / Rectifier ID and Rect Phase.

(repeat for every rectifier)

then

Main Menu / Manual / Rectifier / All Rect Ctrl / Confirm ID/PH.

WEB Menu Navigation:

Device Information / Rectifier Group / Rectifier #1 / Settings Tab / Rectifier ID and Rectifier Phase.

(repeat for every rectifier)

then

Device Information / Rectifier Group / Control Tab / Confirm Rectifier “ID/Phase”.

Refer to the ACU+ Instructions (UM1M820BNA) for detailed instructions.

Configuring the ACU+ Identification of -48 VDC to +24 VDC Converters

When converters are all installed prior to applying power and starting the system, the order in which the ACU+ identifies the converters is by serial number (lowest serial number is Conv 1, next lowest is Conv 2, etc.).

If you prefer the ACU+ to identify the converters by position in the system, perform the following procedure.

Local Menu Navigation:

Main Menu / Settings / Converter / Conv #1 / Set Conv ID.

(repeat for every converter)

then

Main Menu / Manual / Converter / All Conv Ctrl / Confirm ID.

WEB Menu Navigation:

Device Information / Converter Group / Converter #1 / Settings Tab / Set Converter ID.

(repeat for every converter)

then

Device Information / Converter Group / Control Tab / Confirm Converters ID.

Refer to the ACU+ Instructions (UM1M820BNA) for detailed instructions.

ACU+ Alarm Relay Check

To verify operation of the external alarm relays, use the ACU+ alarm relay test feature. Refer to the ACU+ Instructions (UM1M820BNA) for instructions in using this feature.















NOTE! *The relays may be preprogrammed for specific functions. Refer to the configuration drawing (C-drawing) supplied with your system for your system’s specific configuration.*

Checking System Status

Procedure

1. Observe the status of the indicators located on the controller, rectifiers, and converters (if furnished). If the system is operating normally, the status of these is as shown in **Table 10**.

Table 7.3 Status and Alarm Indicators

| Component | Indicator | | Normal State |
|-------------------|---|-------------------------------|--------------|
| NCU |  | Status (Green) | On |
| |  | Minor (Yellow) | Off |
| |  | Critical or Major Alarm (Red) | Off |
| ACU+ |  | Status (Green) | On |
| |  | Minor (Yellow) | Off |
| |  | Critical or Major Alarm (Red) | Off |
| Rectifier Modules |  | Power (Green) | On |
| |  | Protection (Yellow) | Off |
| |  | Alarm (Red) | Off |
| Converter Modules |  | Power (Green) | On |
| |  | Protection (Yellow) | Off |
| |  | Alarm (Red) | Off |

Final Steps

1. If any controller configuration settings were changed, refer to the Controller Instructions (UM1M820BNA or UM1M830BNA) and save a copy of the configuration file. This file can be used to restore the controller settings, if required, at a later date.
 - Note that provided on a USB drive furnished with the system is a controller configuration drawing (C-drawing) and the controller configuration files loaded into the controller as shipped.
2. Verify all rectifier and converter modules and the controller are fully seated, latched, and the latch handle screws secured.
3. Verify there are no external alarms and the local indicators are as shown in **Table 10**.

This page intentionally left blank.

Connect with Vertiv on Social Media



<https://www.facebook.com/vertiv/>



<https://www.instagram.com/vertiv/>



<https://www.linkedin.com/company/vertiv/>



<https://www.twitter.com/vertiv/>



Vertiv.com | Vertiv Headquarters, 505 N Cleveland Ave, Westerville, OH 43082, USA

© 2023 Vertiv Group Corp. All rights reserved. Vertiv™ and the Vertiv logo are trademarks or registered trademarks of Vertiv Group Corp. All other names and logos referred to are trade names, trademarks or registered trademarks of their respective owners. While every precaution has been taken to ensure accuracy and completeness here, Vertiv Group Corp. assumes no responsibility, and disclaims all liability, for damages resulting from use of this information or for any errors or omissions.