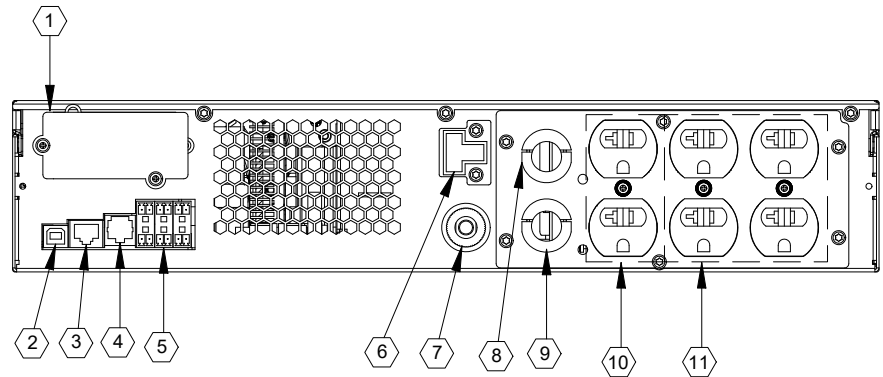
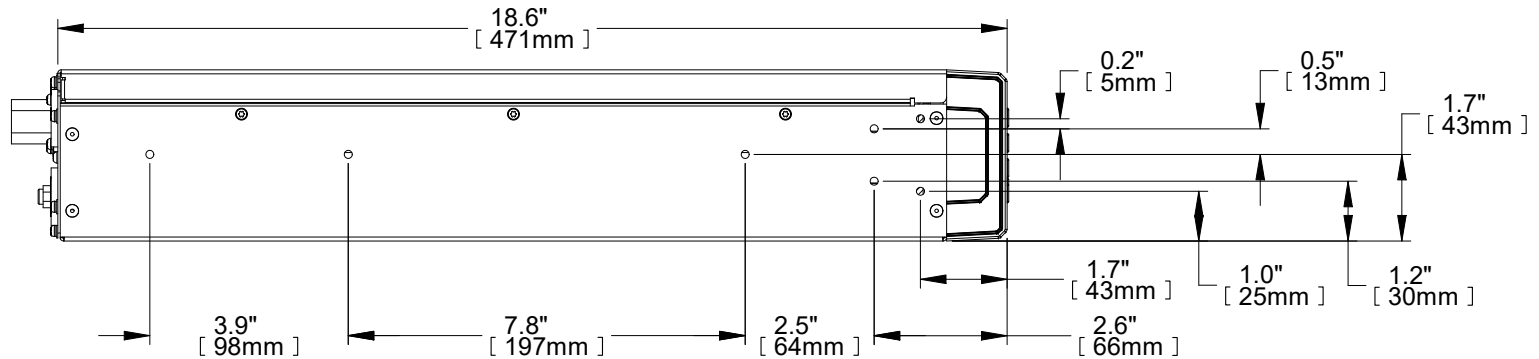


**FRONT VIEW**

FOR DETAIL  
SEE DRAWING GXT5-DISPLAY



**REAR VIEW**



**SIDE VIEW**

- ① INTELLISLOT PORT
- ② USB PORT
- ③ RS485 PORT
- ④ RS232 PORT
- ⑤ TERMINAL BLOCK COMMUNICATION
- ⑥ EXTERNAL BATTERY CONNECTOR
- ⑦ 20A INPUT CIRCUIT BREAKER
- ⑧ OUTPUT POWER PLUG (L5-20R, 10 FEET/3M)
- ⑨ INPUT POWER PLUG (L5-20P, 10 FEET/3M)
- ⑩ NON-PROGRAMMABLE OUTPUT RECEPTACLES IEC 60906-1 20A
- ⑪ PROGRAMMABLE OUTPUT RECEPTACLES IEC 60906-1 20A

**NOTES:**

1. UNIT DIMENSIONS (WxDxH): 16.9" x 18.6" x 3.3" (2U)  
(430mm) x (471mm) x (85mm)
2. UNIT WEIGHT: 47.5lbs (21.6kg)
3. SHIPPING DIMENSIONS (WxDxH): 22.4" x 24.3" x 10.3"  
(570mm) x (617m) x (262mm)
4. SHIPPING WEIGHT: 58.7lbs (26.7kg)
5. MINIMUM AIRFLOW CLEARANCE IS 4.0" (100mm)  
FRONT AND REAR.

DRAWN BY B. LAY	SHEET NO. 1 OF 1
CHK BY M. MCCLINCY	ECN NO.
REF. DWG.	ORDER NO.

OUTLINE DRAWING  
LIEBERT GXT5 2000VA  
100/120VAC RACK/TOWER UPS

DWG. NO. GXT5-2000LV_OD	DATE 1/30/19	REV. # 0	1050 DEARBORN DRIVE P.O. BOX 29186 COLUMBUS, OHIO 43229
----------------------------	-----------------	-------------	---

FILE NAME: I:\dpgeng\GXT5\Submittals(A)\Outline Dwg\GXT5-2000LV\_OD

