

# KMMLED156 RACK MOUNT 15.6” CONSOLE TRAY FOR DELL EMC



## Quick Installation Guide

The KMMLED156 console tray assembly is provided with a pair of slide-rail assemblies, a keyboard, display, slide tray, Cable Management Arm (CMA), inner slide rails on the slide tray and an installed VGA cable. An uninstalled DisplayPort cable is also provided.

### INSTALLATION

The slide-rail assemblies are marked L for the left-rail assembly and R for the right-rail assembly. The front end of each assembly is marked FRONT to ensure proper installation in the rack.

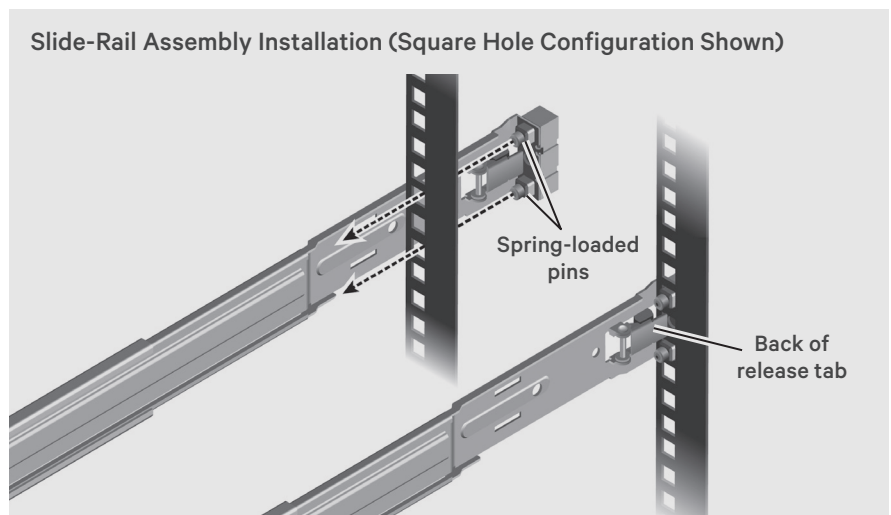
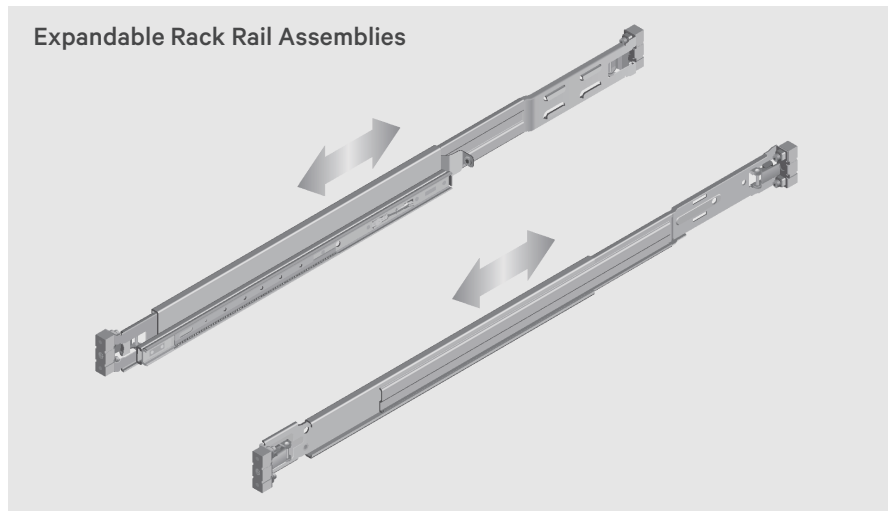
**CAUTION:** If you are installing more than one unit concurrently, keep the outer slides matched with the inner slides, which are mounted on the slide tray. Rails and slide trays that ship together must be paired together. Mismatched pairs may result in damage to the slide-rail assemblies, slide tray or rack cabinet.

#### 1. Installing the slide-rail assemblies into a standard EIA rack

**NOTE:** The slide-rail mounting mechanism has two spring-loaded pins at each end of the rail assemblies that retract. The pins fit 10-32 threaded holes or EIA-standard square- or round-hole racks. The spring-loaded pins self-adjust to adapt to the rack hole configuration. Each set of spring-loaded sleeves is equipped with release tabs to pull and disengage the slide-rail assembly.

Align the two back spring-loaded pins of the slide-rail assembly with corresponding holes on the rack and pull to secure.

Extend the rail assembly to the appropriate length of the rack.



Align the two front spring-loaded pins of the slide-rail assembly with the corresponding holes on the rack and push to secure. The release tabs click to indicate the pins are fully engaged.

Repeat the steps for the rail on the opposite side of the rack.

## 2. Attaching the end caps and covers to the front rail ends

**NOTE:** The end caps can be installed at any time during the assembly of the console tray.

**CAUTION:** The end cap's post sheath and end cap post are off-center. Do not seat the end cap or end cap cover until you determine if the sides are flush.

Loosely insert the end cap's post sheath into the middle hole of the front rail end. Determine if the sides of the cap are flush with the sides of the rail end before the final seating of the cap. If necessary, rotate the end cap 180° to achieve proper alignment.

Once aligned, push to seat the end cap.

Loosely insert the end cap cover's post into the sheath on the end cap. If necessary, rotate the end cap cover 180° to achieve proper alignment.

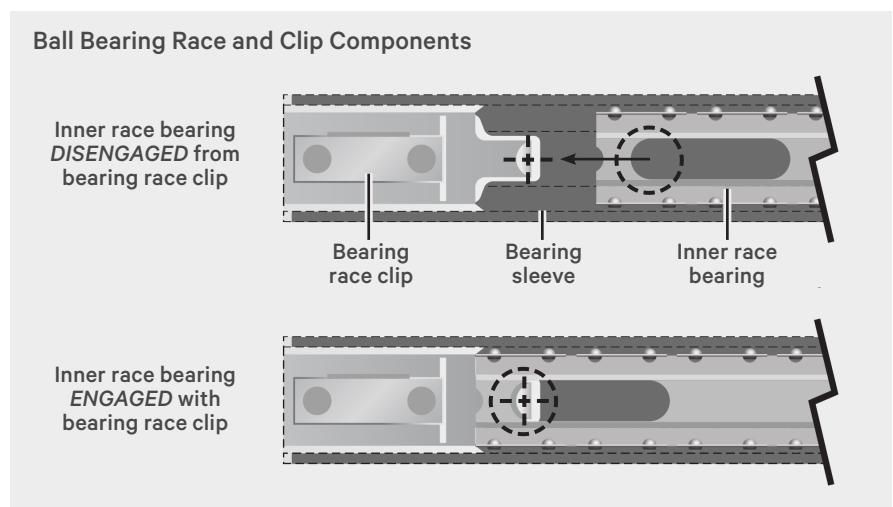
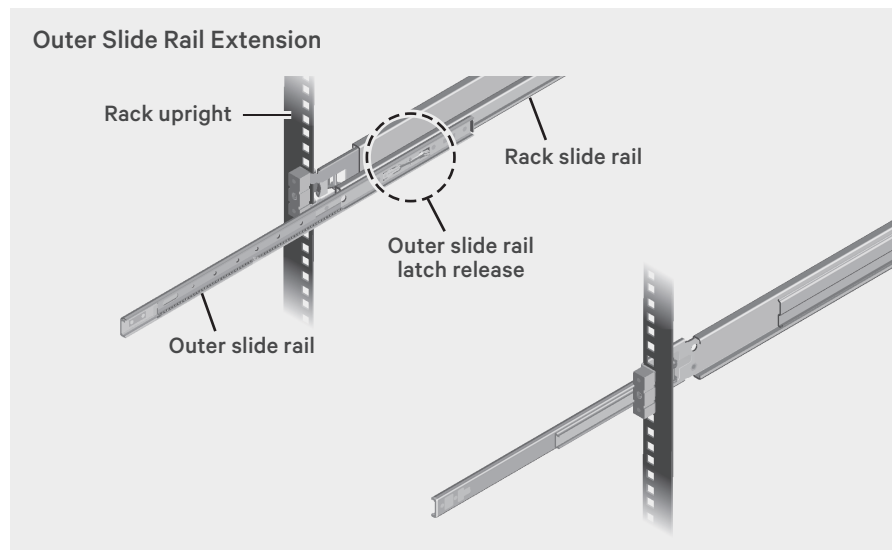
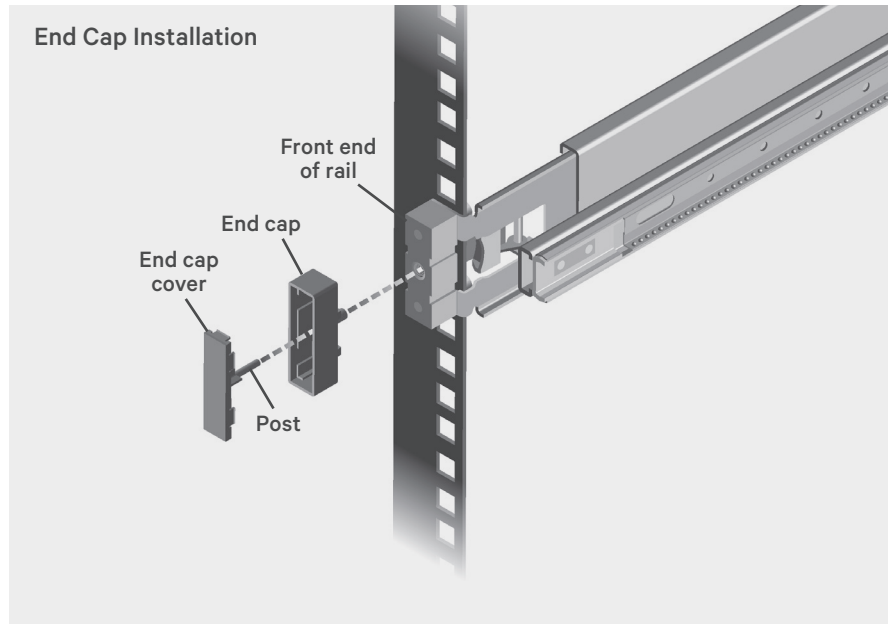
Once aligned, push to seat the end cap cover. Repeat for the second end cap.

## 3. Preparing for slide-tray installation

Unlock and fully extend the outer slide rails by pressing their latch release.

With the outer slide rails fully extended, verify their inner bearing race is slid fully forward and seated into the plastic bearing race clip.

**CAUTION:** To avoid damage to the slide rails, the outer slide members must be fully



extended. Also, the ball-bearing races must be in the forward most position and engaged with the bearing race clip prior to installing the slide-tray assembly. Incorrect preparation can cause damage to the slide-rail assembly when installing the slide tray.

#### 4. Installing the slide tray

**NOTE:** The slide-tray assembly is configured with a VGA video cable. If the video source is DisplayPort or DVI, replace the VGA cable (with the provided DisplayPort cable or a customer-supplied DVI cable) before you install the slide-tray assembly into the slide rails in the rack. Carefully route the cable through the cable channel on the CMA.

**NOTE:** Ensure the system is properly supported until the inner rails are inserted into the outer slide rails on both sides.

With both the left and right outer slide rails extended, and the bearing races properly seated, align and couple the ends of the inner slide rails (which are affixed to either side of the slide tray) and outer slide rails. The rails must be properly nested before continuing. If needed, decouple and reposition the slide rail members to achieve correct alignment.

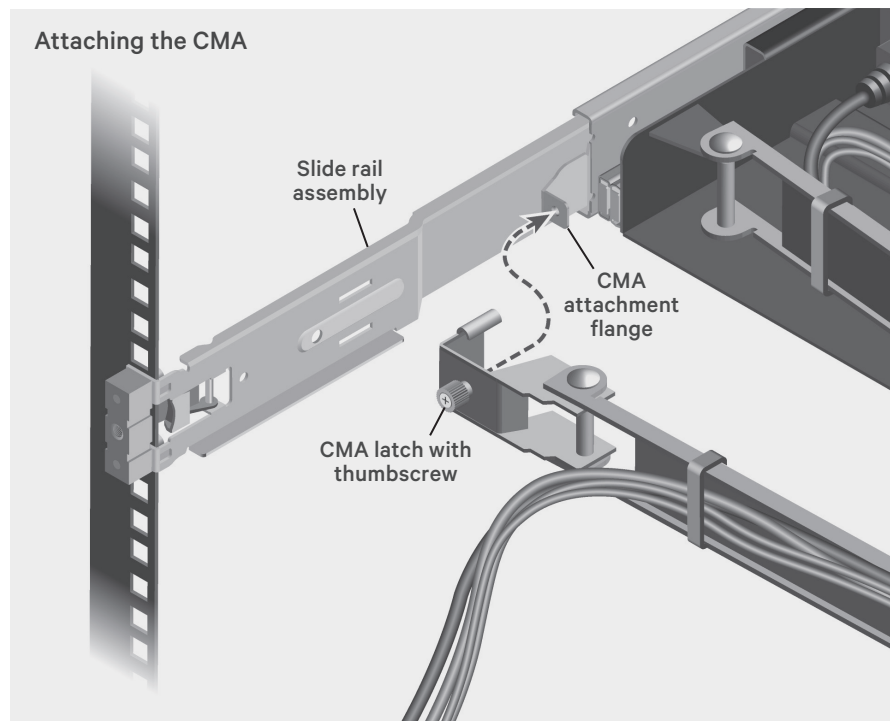
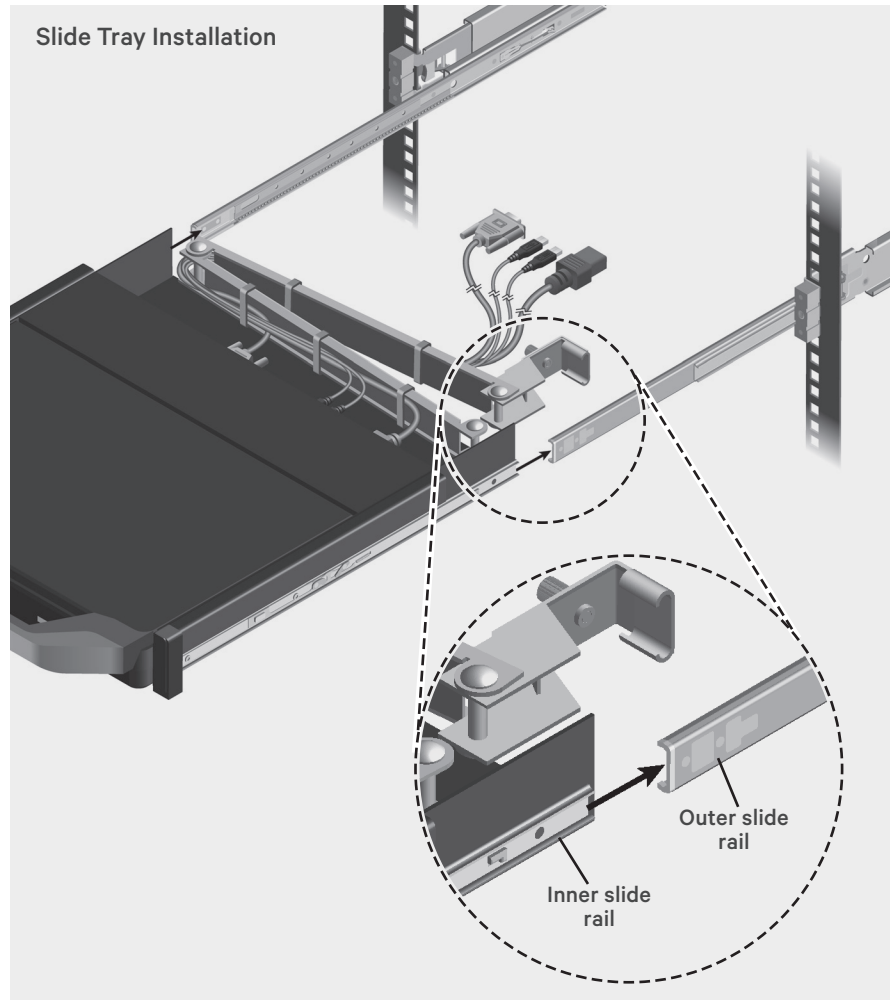
Push the aligned slide tray into the rack.

**NOTE:** Fully extend and retract the slide tray at least once to ensure all components are properly seated.

#### 5. Attaching the CMA

Slide the CMA latch over the CMA attachment flange located on the slide rail.

Secure the CMA latch to the CMA attachment flange with the thumbscrew.



**NOTE:** A Phillips head screwdriver can be used to tighten the thumbscrew in tightly-spaced racks.

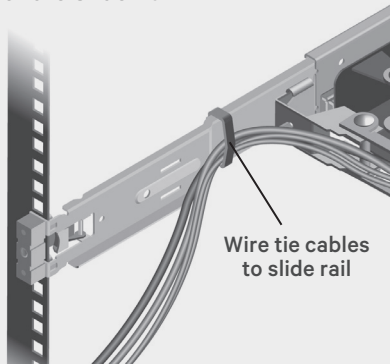
## 6. Connecting the console to the target device

Connect the video and USB connectors to the target device.

**NOTE:** Connect to one video source at a time.

Connect the power cord to a properly grounded electrical outlet or power distribution unit (PDU).

### Securing the Cables to the Rear of the Slide Rail



Secure the cables to the rear of the slide rail with a wire tie. Make sure the cables are not pulled too tight.

(Optional) Bundle excess cables into a figure-eight loop and secure with a cable strap.

**CAUTION:** Do not coil the cables. To minimize electrical interference from the video cable, arrange the cables in figure-eight loops.

## Video source configuration

The video source is factory set to Auto, which automatically configures for the connected source. No other configuration is required.

## VGA shortcuts

If the RGB (VGA) video source is connected, you can tap the Up icon to automatically configure the display and tap the Down icon to automatically adjust the color.

## Additional information

A translated version of this information is available in the Vertiv™ KMMLED156 Rack Mount 15.6" Console Tray for Dell EMC Installer/User Guide located at <https://www.vertivco.com/en-us/support/avocent-support-dell/>.

Une version traduite de ces informations est disponible dans le guide d'installation et d'utilisation du plateau de console 15,6" à montage en rack pour Dell EMC KMMLED156 Vertiv™ situé à l'adresse <https://www.vertivco.com/en-us/support/avocent-support-dell/>.

Ein übersetztes Installations-/Benutzerhandbuch für den Vertiv™ KMMLED156 18,5-Zoll-LCD-Konsolen-Tray für Dell EMC zur Befestigung im Rack finden Sie unter <https://www.vertivco.com/en-us/support/avocent-support-dell/>.

Hay una versión traducida de esta información en el Instalador/la Guía del usuario de la Bandeja de consola Rackmount de 15,6 pulg. Vertiv™ KMMLED156 para Dell EMC, disponible en <https://www.vertivco.com/es-latam/soporte/avocent-support-dell/>.

有关本信息的翻译版本，请参阅《适用于 Dell EMC 的 Vertiv™ KMMLED156 机架式 15.6" 控制台托盘安装人员/用户指南》，详见 <https://www.vertivco.com/en-us/support/avocent-support-dell/>。

有關本資訊的翻譯版本，請參閱《適用於 Dell EMC 的 Vertiv™ KMMLED156 機架式 15.6 主控台托盤安裝/使用指南》，詳見 <https://www.vertivco.com/en-us/support/avocent-support-dell/>。

この情報の翻訳バージョンは、「Vertiv™ KMMLED156 ラックマウント 15.6 インチ コンソールトレイ(Dell EMC用)インストーラー/ユーザーガイド」を参照してください(<https://www.vertivco.com/en-us/support/avocent-support-dell/>)。

이 정보에 대한 번역본은 [//www.vertivco.com/en-us/support/avocent-support-dell/](https://www.vertivco.com/en-us/support/avocent-support-dell/)에 있는 Vertiv™ KMMLED156 Rack Mount 15.6" Dell EMC용 콘솔 트레이 설치자/사용자 설명서에 있습니다.

Перевод данной информации доступен в руководстве по установке консоли для монтажа в стойку Vertiv™ KMMLED156 Rack Mount 15.6" для устройств Dell EMC по ссылке: <https://www.vertivco.com/en-us/support/avocent-support-dell/>.

Versi terjemahan informasi ini tersedia dalam Panduan Pengguna/Instalasi Baki Konsol Rack Mount 15,6" KMMLED156 Vertiv™ untuk Dell EMC yang ada di <https://www.vertivco.com/en-us/support/avocent-support-dell/>.

## To contact Vertiv Technical Support: visit [www.VertivCo.com](http://www.VertivCo.com)

© 2019 Vertiv Co. All rights reserved. Vertiv and the Vertiv logo are trademarks or registered trademarks of Vertiv Co. All other names and logos referred to are trade names, trademarks or registered trademarks of their respective owners. While every precaution has been taken to ensure accuracy and completeness herein, Vertiv Co. assumes no responsibility, and disclaims all liability, for damages resulting from use of this information or for any errors or omissions. Specifications are subject to change without notice.

