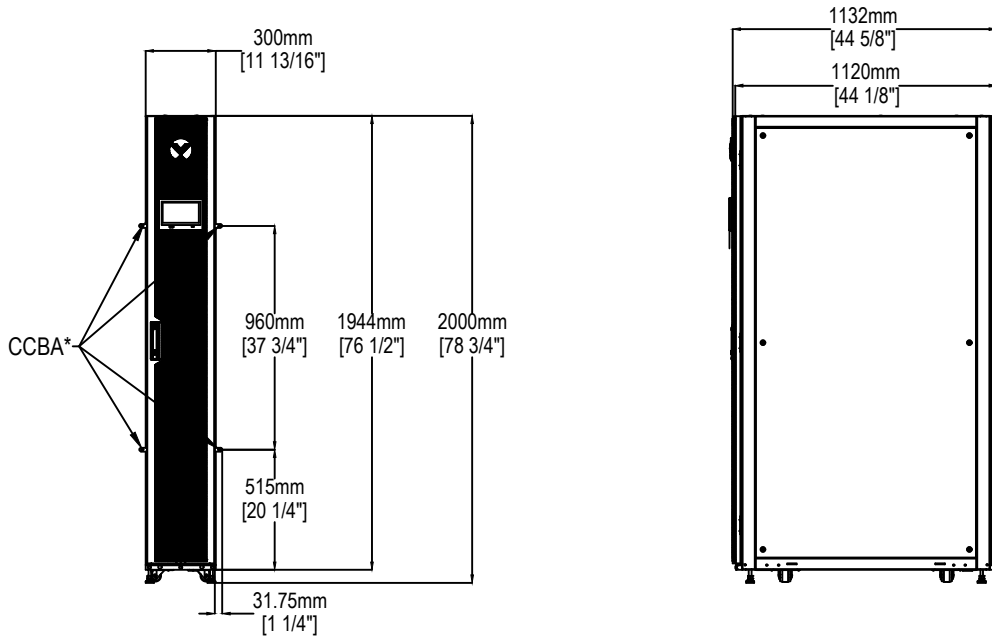
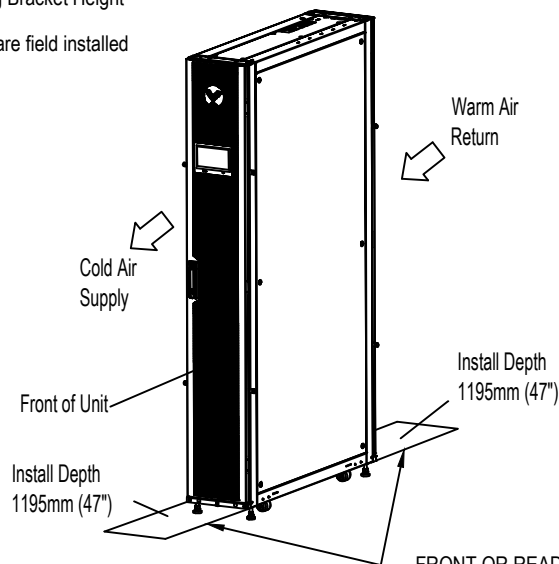


## CABINET DIMENSIONAL DATA (42U)



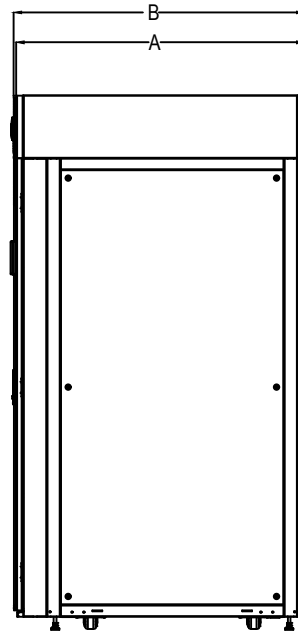
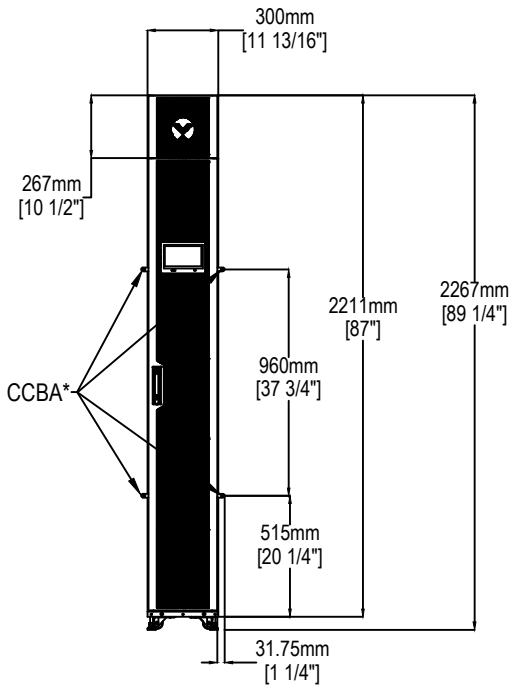
\* Cabinet Connection Baying Bracket Height  
 Note :  
 Cabinet Baying Brackets are field installed



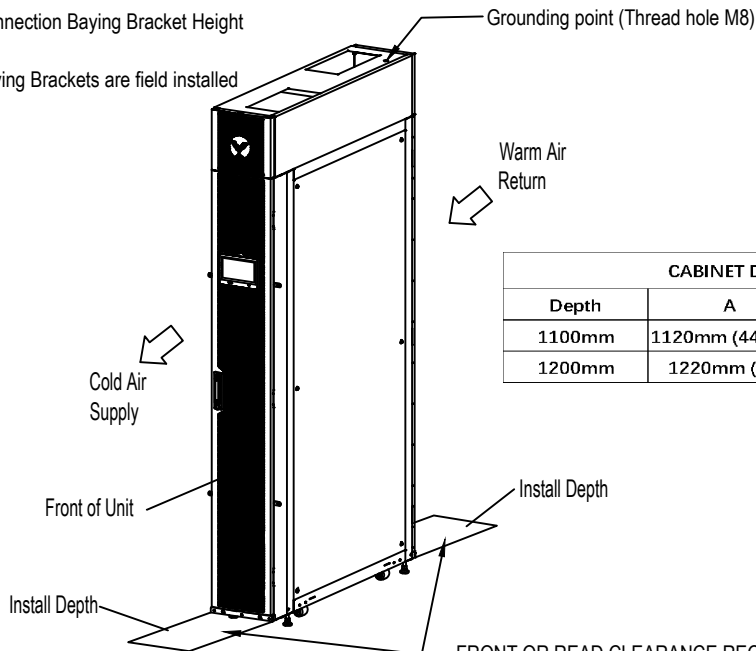
FRONT OR REAR CLEARANCE REQUIRED FOR INSTALLATION OF CRD10 UNIT BETWEEN RACKS ALREADY INSTALLED IN THE ROW. 915MM (36") CLEARANCE REQUIRED IN BOTH FRONT AND BACK FOR SERVICE ACCESS.

MODEL #	DRY WEIGHT kg (lb) net	SHIPPING WEIGHT kg (lb) net
CRD10	231(509)	313(690)

## CABINET DIMENSIONAL DATA (48U)



\* Cabinet Connection Baying Bracket Height  
 Note :  
 Cabinet Baying Brackets are field installed



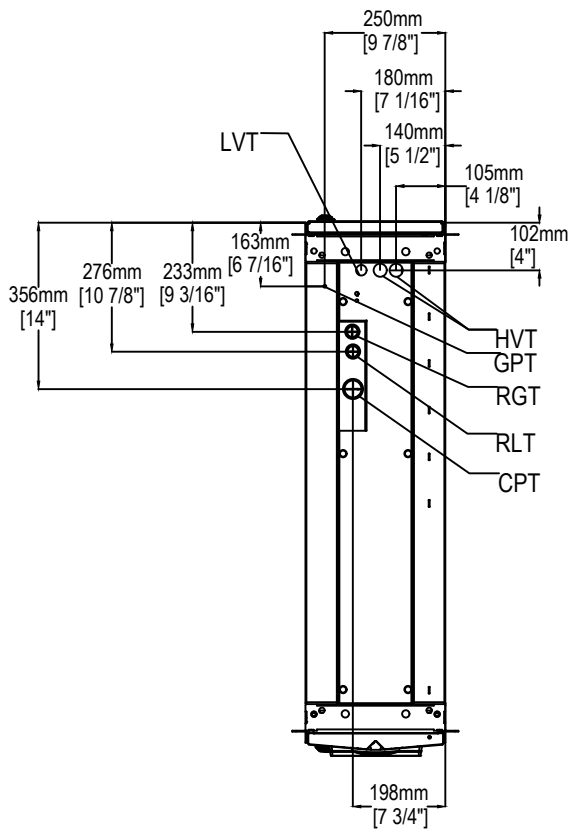
CABINET DIMENSIONAL DATA (48U)			
Depth	A	B	Install Depth
1100mm	1120mm (44 1/8")	1132mm (44 5/8")	1195mm (47")
1200mm	1220mm (48")	1232mm (48 1/2")	1295mm (51")

FRONT OR REAR CLEARANCE REQUIRED FOR INSTALLATION OF CRD10 UNIT BETWEEN RACKS ALREADY INSTALLED IN THE ROW. 915MM (36") CLEARANCE REQUIRED IN BOTH FRONT AND BACK FOR SERVICE ACCESS.

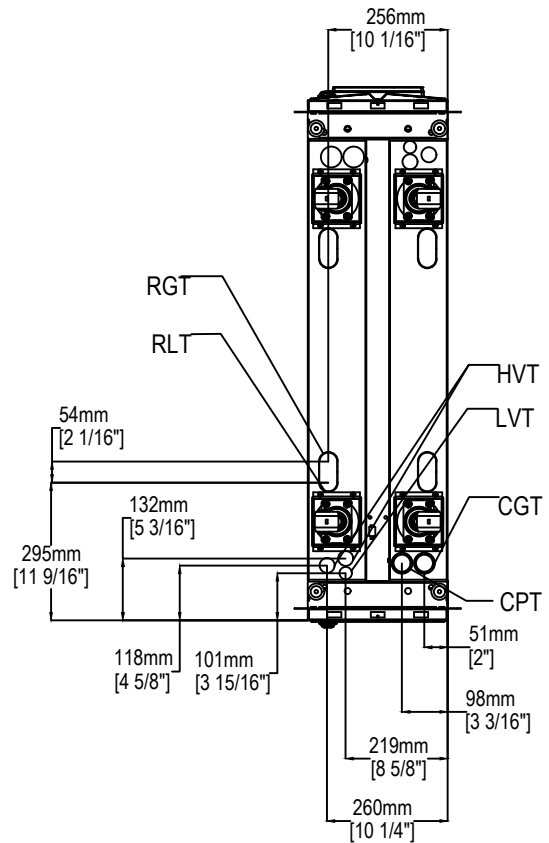
MODEL #	DRY WEIGHT kg (lb) net	SHIPPING WEIGHT kg (lb) net
CRD10	236(520)	318(700)

## PRIMARY CONNECTION LOCATIONS

TOP CONNECTIONS  
FRONT OF UNIT



BOTTOM CONNECTIONS  
FRONT OF UNIT



**Note:**

1. PIPING AND ELECTRICAL CONNECTIONS AVAILABLE AT THE TOP AND BOTTOM OF UNIT

UNIT TOP CONNECTIONS			UNIT BOTTOM CONNECTIONS		
RLT	Refrigerant Liquid Line Inlet	1/2" O.D. Copper Sweat	RLT	Refrigerant Liquid Line Inlet	1/2" O.D. Copper
RGT	Refrigerant Gas Line Outlet	5/8" O.D. Copper Sweat	RGT	Refrigerant Gas Line Outlet	5/8" O.D. Copper
CPT	Condensate Pump	1/2" NPTF FEMALE	CPT	Condensate Pump	1/2" NPTF FEMALE
HVT	High Voltage Top Connection	Combination Knockout 1-1/8" (29 mm)	HVT	High Voltage Bottom Connection	Combination Knockout 1-1/8" (29 mm)
LVT	Low Voltage Top Connection	Knockout Hole Diameter 7/8" (22 mm)	LVT	Low Voltage Bottom Connection	Knockout Hole Diameter 7/8" (22 mm)
GPT	Grounding Point	Thread hole M8	CGT	Condensate Gravity	1/2" NPTF FEMALE